

C1005C0G2A471K050BA

TDK item description : C1005C0G2A471KT****

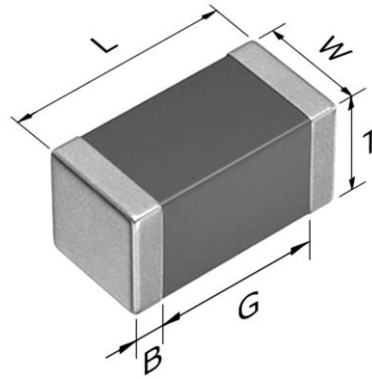


Application & Main Feature

Commercial grade (General type)

Series

C1005 [EIA 0402]



Dimensions

L 1.00±0.10 mm
 W 0.50±0.10 mm
 T 0.50±0.10 mm
 B 0.10 mm min.
 G 0.30 mm min.

Temperature Characteristic

C0G (-55 to +125 degC, 0±30ppm/°C)

Rated Voltage

2A (100Vdc)

Capacitance

470pF

Capacitance Tolerance

K (±10%)

Q

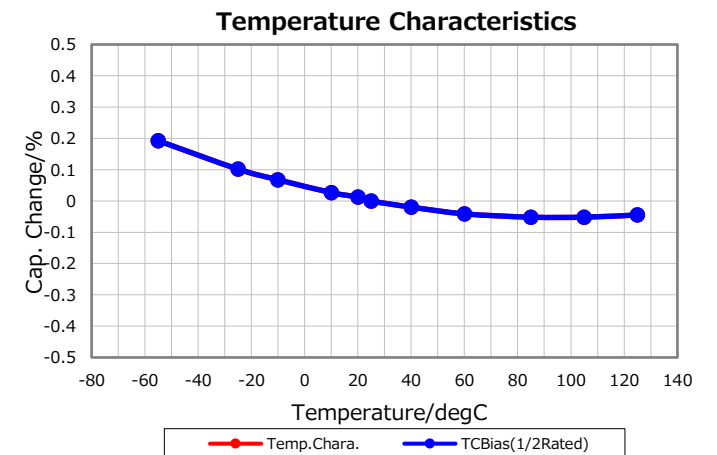
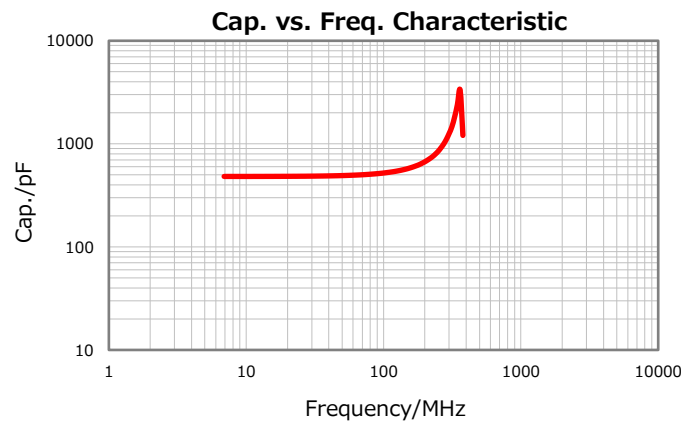
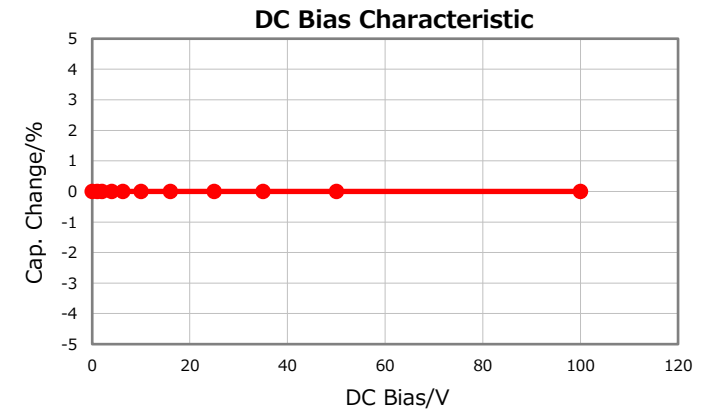
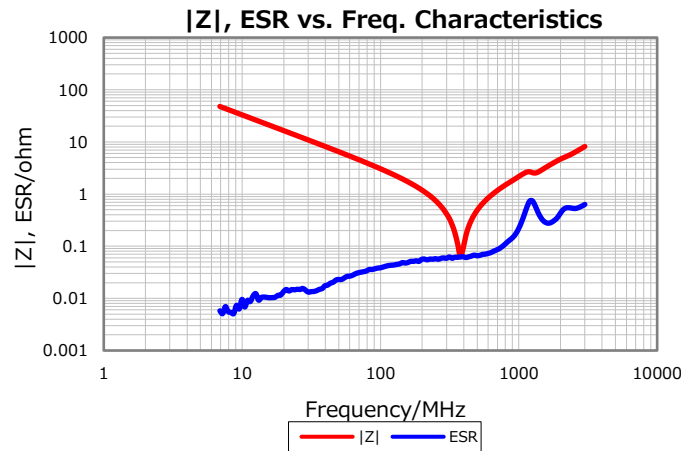
1000 min.

Insulation Resistance

10000 Mohm min.

AEC-Q200

Not Applicable



Characterization Sheet (Multilayer Ceramic Chip Capacitors)



All specifications are subject to change without notice.

February 5, 2021