

# C1005NP02A471J050BA

TDK item description : C1005NP02A471JT\*\*\*\*

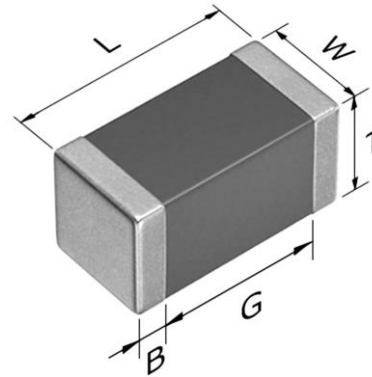


## Application & Main Feature

Commercial grade (General type)

## Series

C1005 [EIA 0402]



## Dimensions

L 1.00±0.10 mm  
 W 0.50±0.10 mm  
 T 0.50±0.10 mm  
 B 0.10 mm min.  
 G 0.30 mm min.

## Temperature Characteristic

NP0 (-55 to +150 degC, 0±30ppm/°C)

## Rated Voltage

2A (100Vdc)

## Capacitance

470pF

## Capacitance Tolerance

J (±5%)

## Q

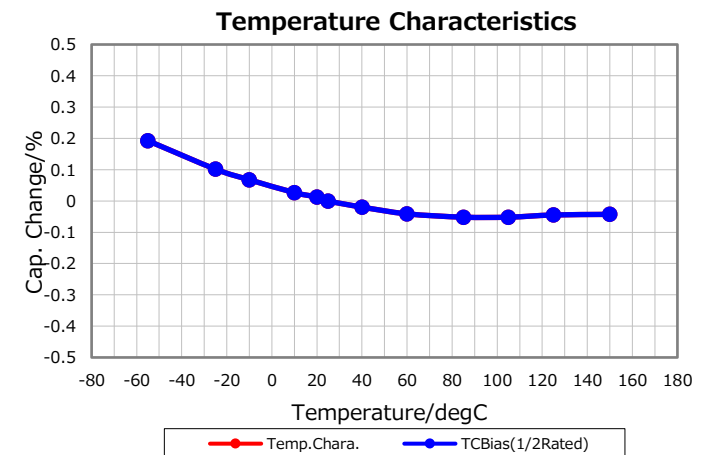
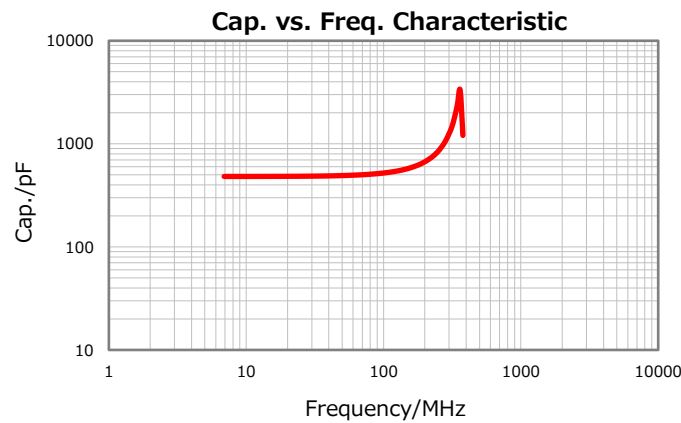
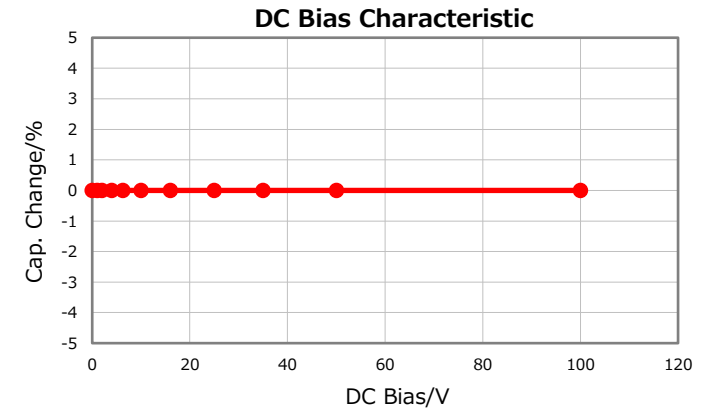
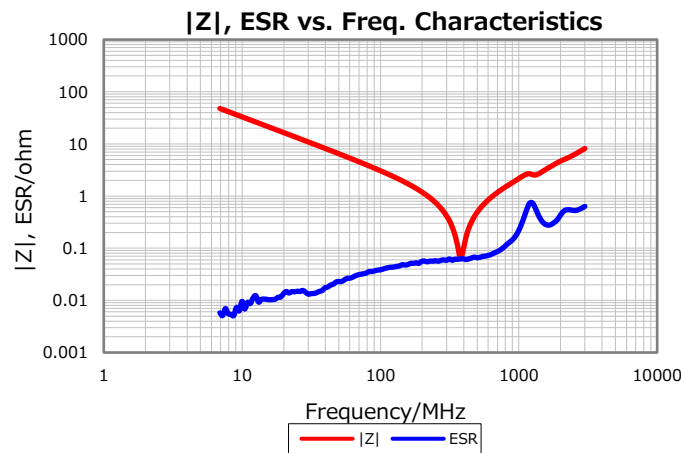
1000 min.

## Insulation Resistance

10000 Mohm min.

## AEC-Q200

Not Applicable



Characterization Sheet (Multilayer Ceramic Chip Capacitors)



All specifications are subject to change without notice.

February 5, 2021