

C1005X7R1V154K050BC

TDK item description : C1005X7R1V154KT****

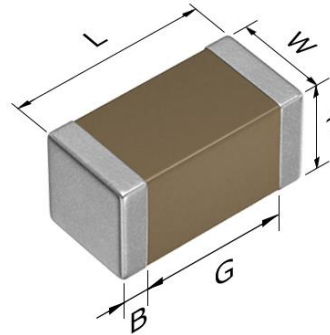


Application & Main Feature

Commercial grade (General type)

Series

C1005 [EIA 0402]



Dimensions

L 1.00±0.05 mm
 W 0.50±0.05 mm
 T 0.50±0.05 mm
 B 0.10 mm min.
 G 0.30 mm min.

Temperature Characteristic

X7R (-55 to +125 degC, ±15%)

Rated Voltage

1V (35Vdc)

Capacitance

150nF

Capacitance Tolerance

K (±10%)

DF

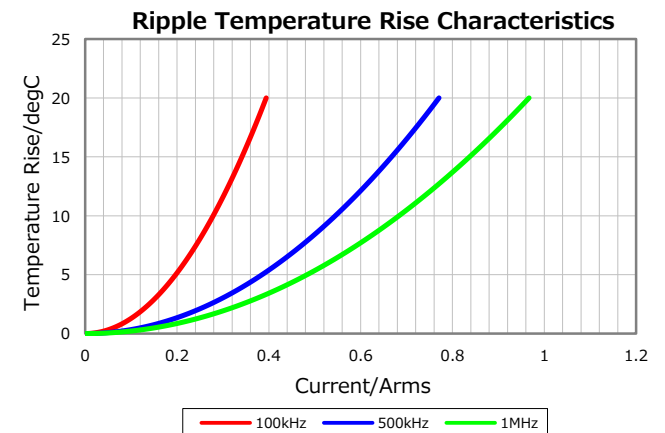
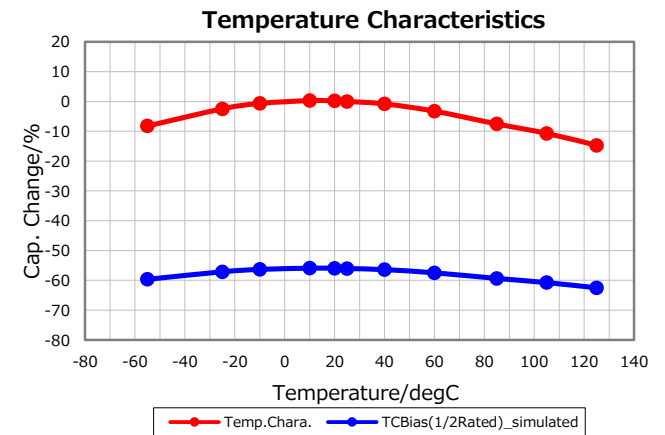
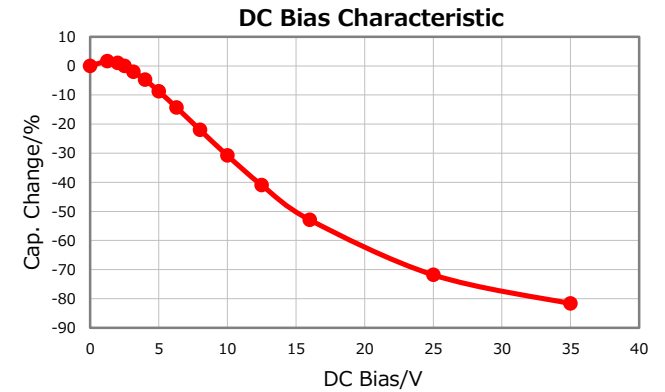
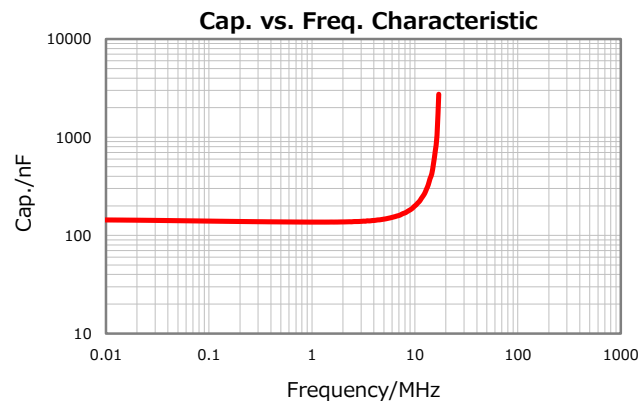
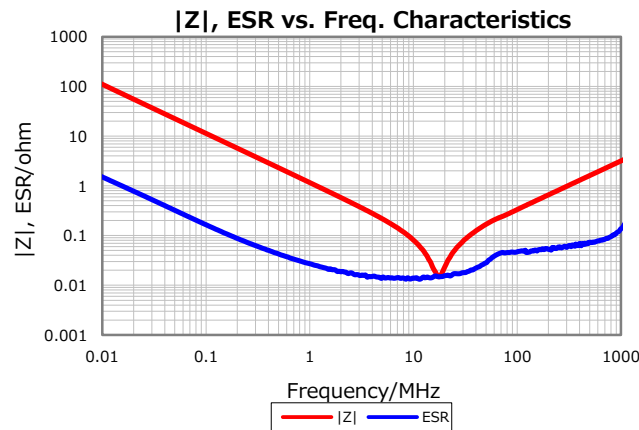
5 % max.

Insulation Resistance

3333 Mohm min.

AEC-Q200

Not Applicable



Characterization Sheet (Multilayer Ceramic Chip Capacitors)



⚠ All specifications are subject to change without notice.

January 5, 2021