

# C1608JB0J226M080AC

TDK Item Description : C1608JB0J226MT\*\*\*

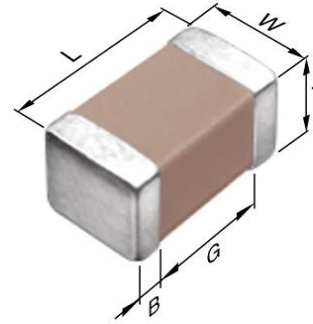


## Application & Main Feature

Commercial Grade ( General (Up to 50V) )

## Series

C1608 [EIA 0603]



## Dimensions

L 1.60±0.20  
 W 0.80±0.20  
 T 0.80±0.20  
 B 0.20mm Min.  
 G 0.30mm Min.

## Temperature Characteristic

JB (-25 to 85 deg +/-10%)

## Rated Voltage

0J (6.3Vdc)

## Capacitance

22uF

## Capacitance Tolerance

M (+/-20%)

## Dissipation Factor

10% Max.

## Insulation Resistance

4Mohm Min.

## AEC-Q200

Not Applicable

