

C1608JB1V225K080AC

TDK Item Description : C1608JB1V225KT****

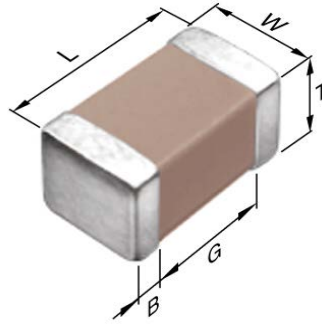


Application & Main Feature

Commercial Grade (General (Up to 50V))

Series

C1608 [EIA 0603]



Dimensions

L	1.60mm +/-0.1mm
W	0.80mm +/-0.1mm
T	0.80mm +/-0.1mm
B	0.20mm Min.
G	0.30mm Min.

Temperature Characteristic

JB (-25 to 85 deg +/-10%)

Rated Voltage

1V (35Vdc)

Capacitance

2.2uF

Capacitance Tolerance

K (+/-10%)

Dissipation Factor

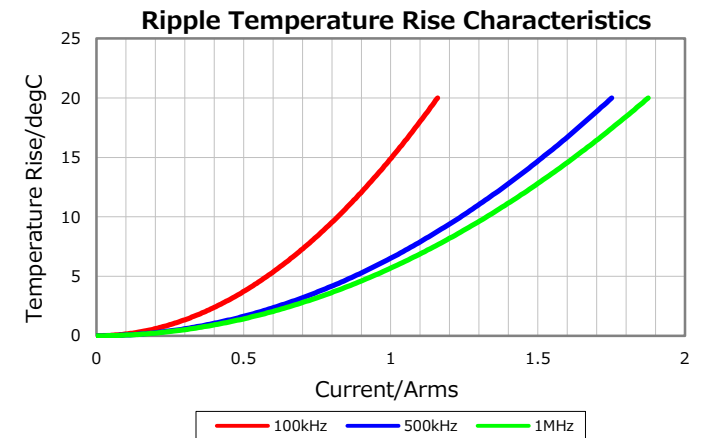
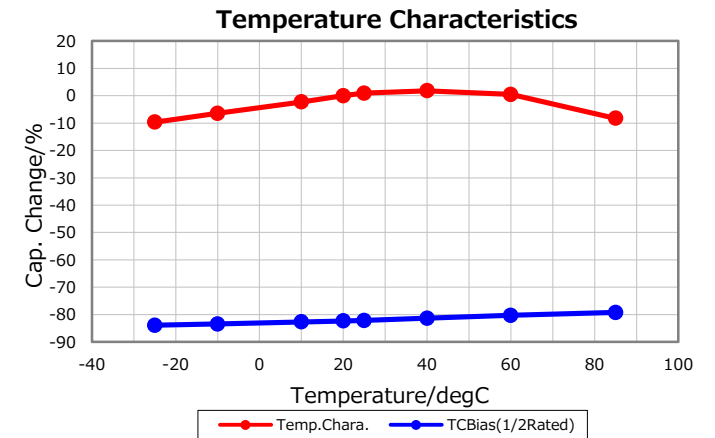
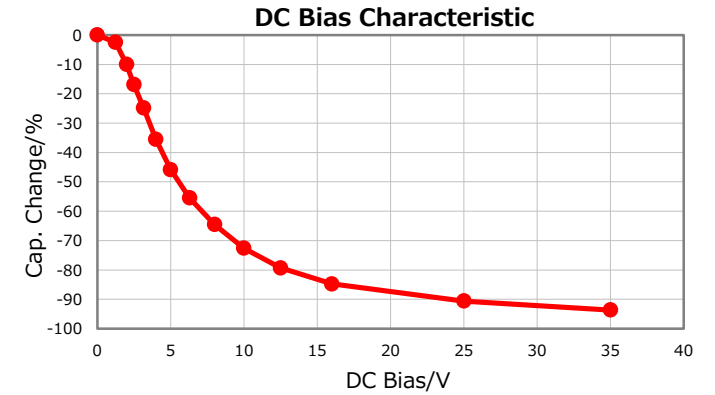
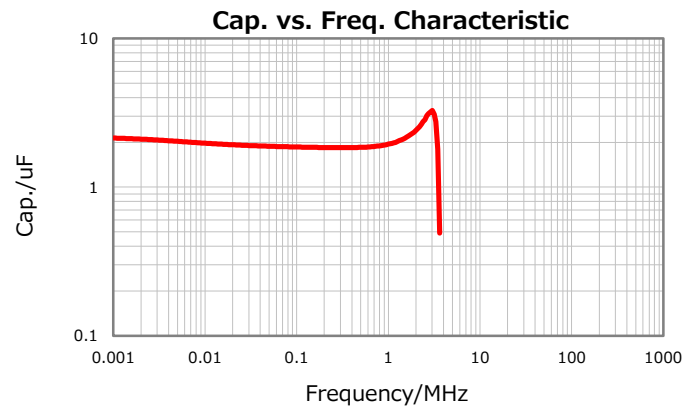
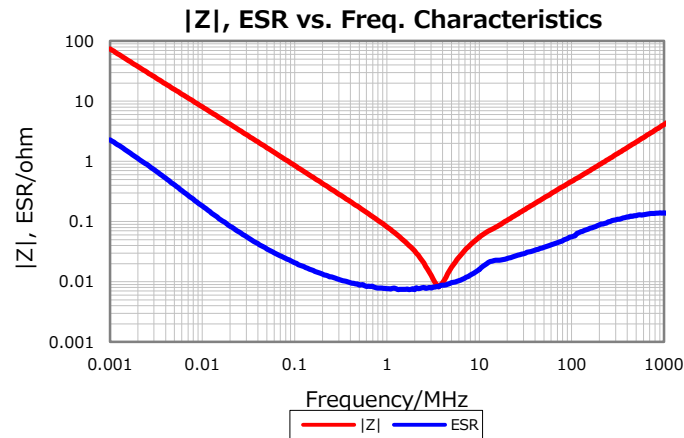
10% Max.

Insulation Resistance

227Mohm Min.

AEC-Q200

Not Applicable



Characterization Sheet (Multilayer Ceramic Chip Capacitors)



All specifications are subject to change without notice.

August 21, 2018