

# C1608X5R1H222K080AA

TDK item description : C1608X5R1H222KT\*\*\*\*

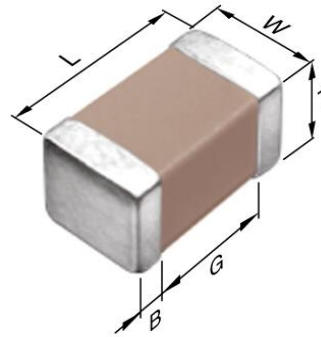


## Application & Main Feature

Commercial grade (General type)

## Series

C1608 [EIA 0603]



## Dimensions

L 1.60±0.10 mm  
 W 0.80±0.10 mm  
 T 0.80±0.10 mm  
 B 0.20 mm min.  
 G 0.30 mm min.

## Temperature Characteristic

X5R (-55 to +85 degC, ±15%)

## Rated Voltage

1H (50Vdc)

## Capacitance

2.2nF

## Capacitance Tolerance

K (±10%)

## DF

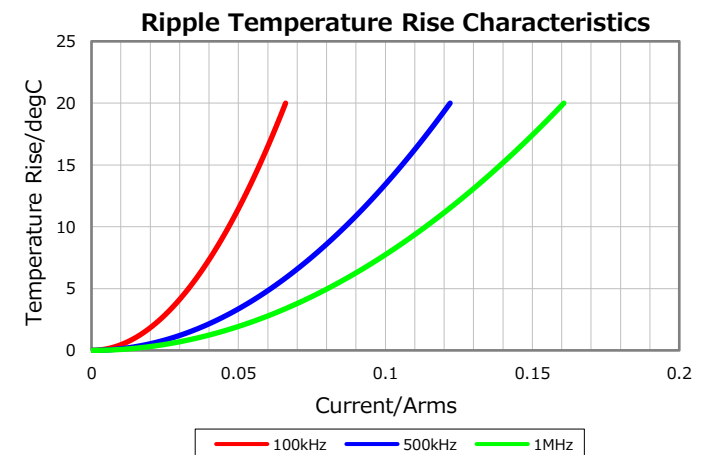
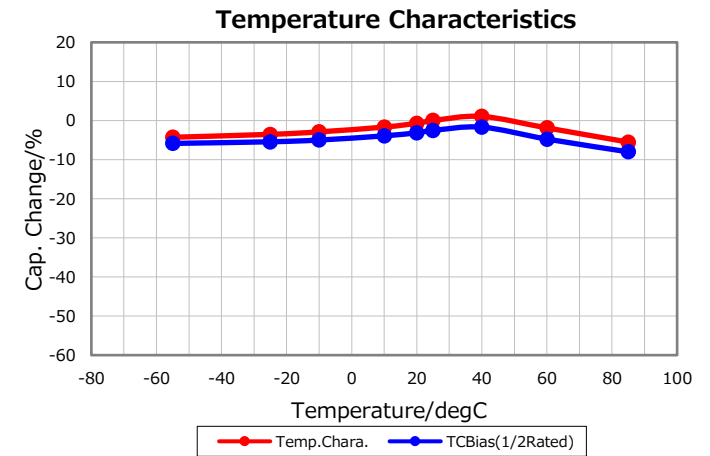
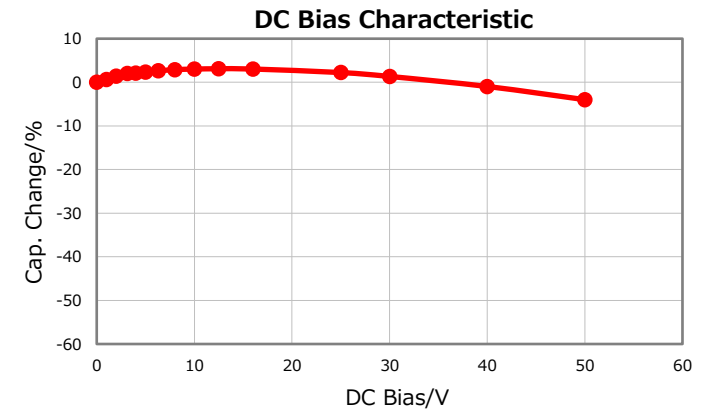
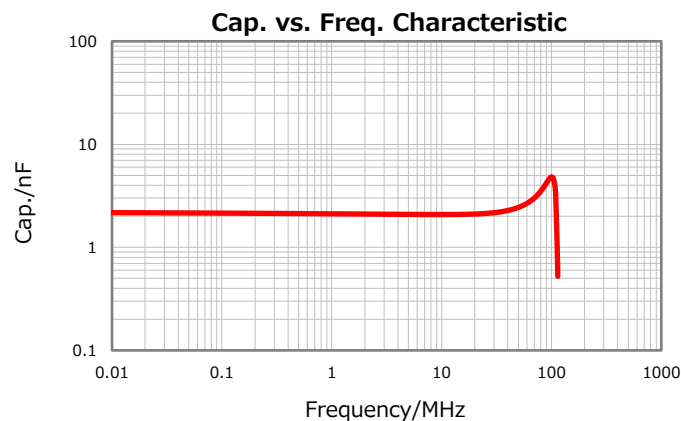
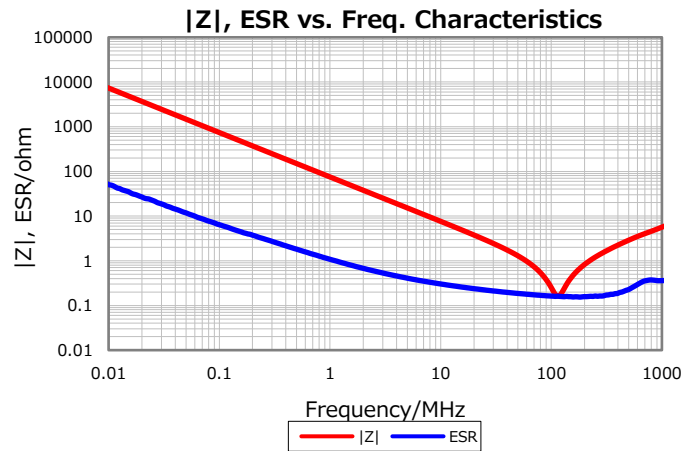
3 % max.

## Insulation Resistance

10000 Mohm min.

## AEC-Q200

Not Applicable



Characterization Sheet ( Multilayer Ceramic Chip Capacitors )



All specifications are subject to change without notice.

March 21, 2020