

C1608X6S1C475K080AC

TDK Item Description : C1608X6S1C475KT****

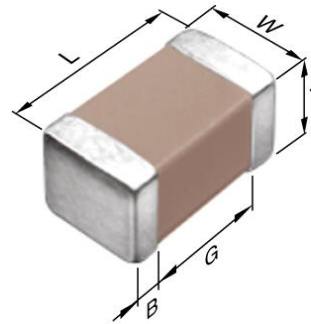


Application & Main Feature

Commercial Grade (General (Up to 50V))

Series

C1608 [EIA CC0603]



Dimensions

L 1.60±0.20
 W 0.80±0.20
 T 0.80±0.20
 B 0.20mm Min.
 G 0.30mm Min.

Temperature Characteristic

X6S (-55 to 105 degC +/-22%)

Rated Voltage

1C (16Vdc)

Capacitance

4.7uF

Capacitance Tolerance

K (+/-10%)

Dissipation Factor

10% Max.

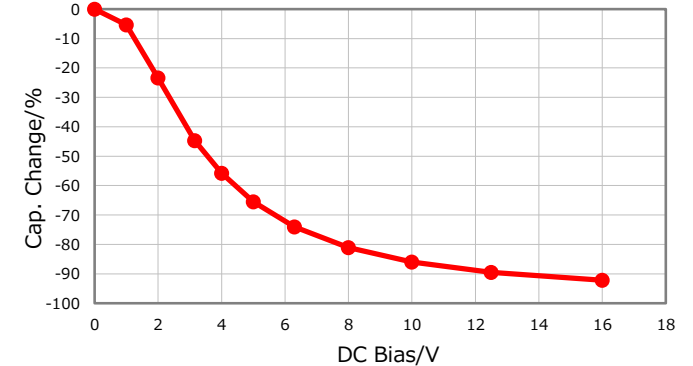
Insulation Resistance

21Mohm Min.

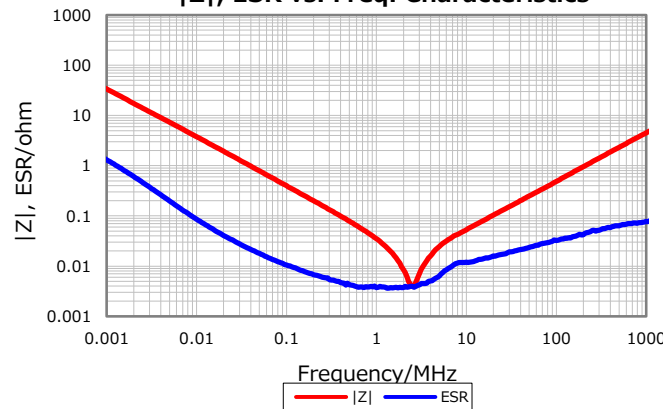
AEC-Q200

Not Applicable

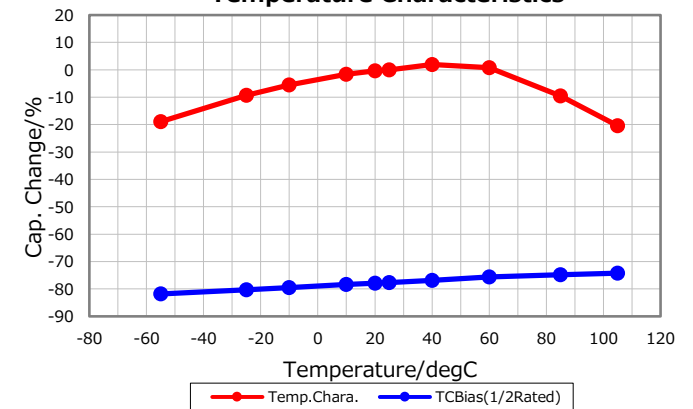
DC Bias Characteristic



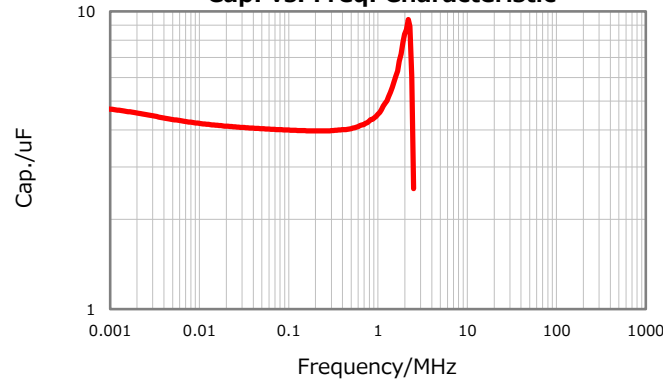
|Z|, ESR vs. Freq. Characteristics



Temperature Characteristics



Cap. vs. Freq. Characteristic



Ripple Temperature Rise Characteristics

