

C1608X6S1H334M080AB

TDK Item Description : C1608X6S1H334MT****

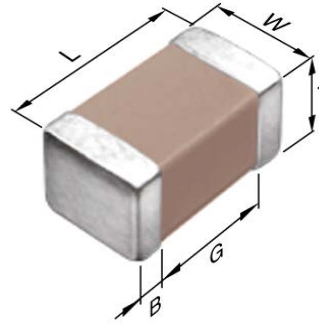


Application & Main Feature

Commercial Grade (General (Up to 50V))

Series

C1608 [EIA 0603]



Dimensions

L	1.60mm +/-0.1mm
W	0.80mm +/-0.1mm
T	0.80mm +/-0.1mm
B	0.20mm Min.
G	0.30mm Min.

Temperature Characteristic

X6S (-55 to 105 degC +/-22%)

Rated Voltage

1H (50Vdc)

Capacitance

330nF

Capacitance Tolerance

M (+/-20%)

Dissipation Factor

5% Max.

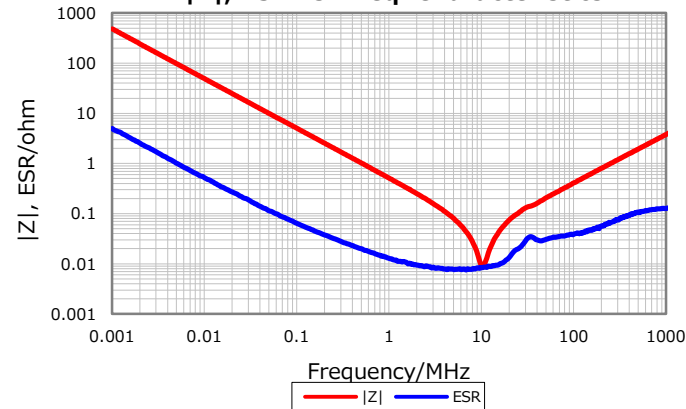
Insulation Resistance

1.515Gohm Min

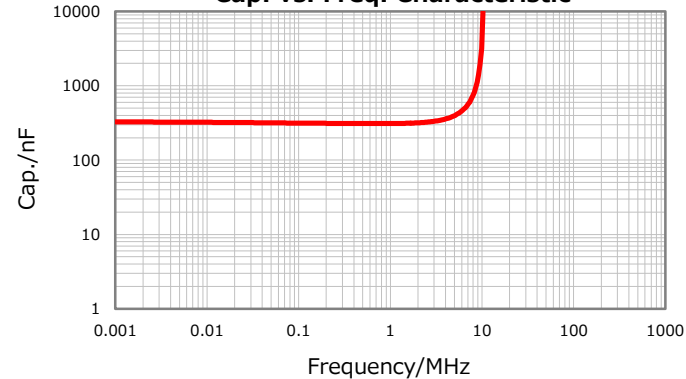
AEC-Q200

Not Applicable

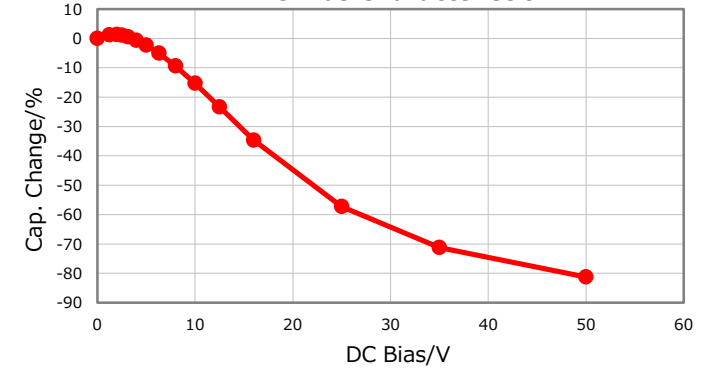
|Z|, ESR vs. Freq. Characteristics



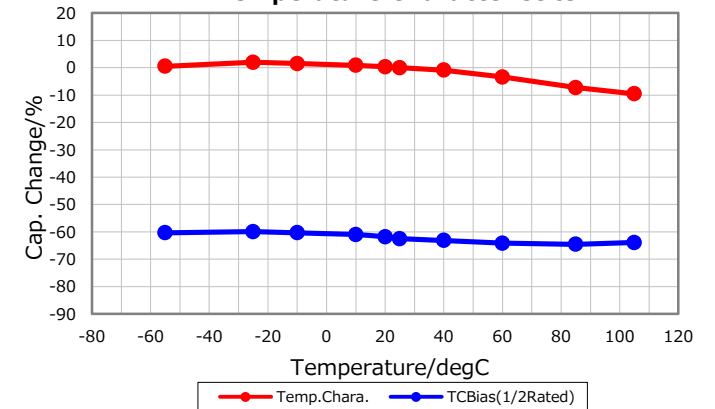
Cap. vs. Freq. Characteristic



DC Bias Characteristic



Temperature Characteristics



Ripple Temperature Rise Characteristics

