

C1608X7R1E474K080AE

TDK item description : C1608X7R1E474KT***S

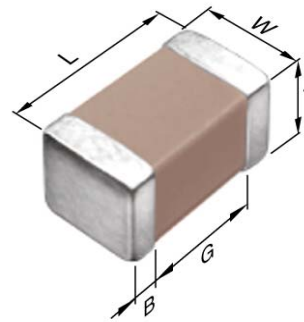


Application & Main Feature

Commercial grade (Soft termination)

Series

C1608 [EIA 0603]



Dimensions

L	1.60+0.20/-0.10 mm
W	0.80+0.15/-0.10 mm
T	0.80+0.15/-0.10 mm
B	0.20 mm min.
G	0.30 mm min.

Temperature Characteristic

X7R (-55 to +125 degC, ±15%)

Rated Voltage

1E (25Vdc)

Capacitance

470nF

Capacitance Tolerance

K (±10%)

Dissipation Factor

5 % max.

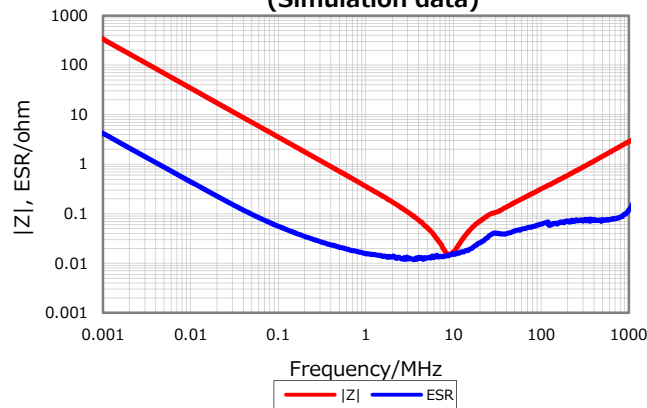
Insulation Resistance

1063 Mohm min.

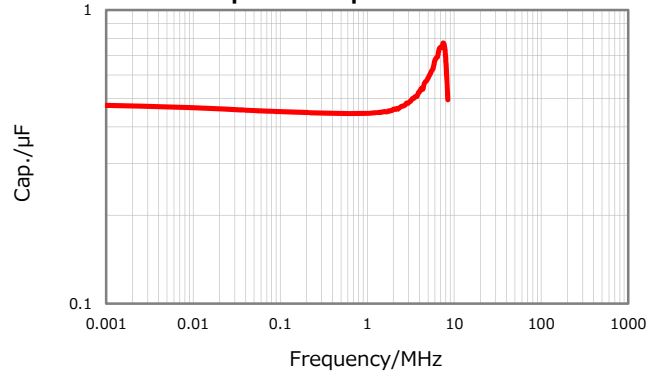
AEC-Q200

Not Applicable

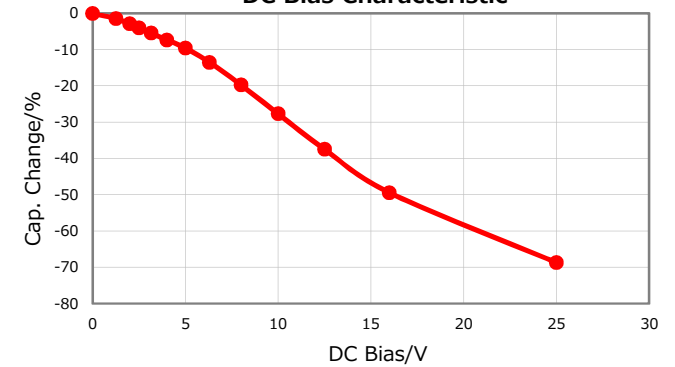
**|Z|, ESR vs. Freq. Characteristics
(Simulation data)**



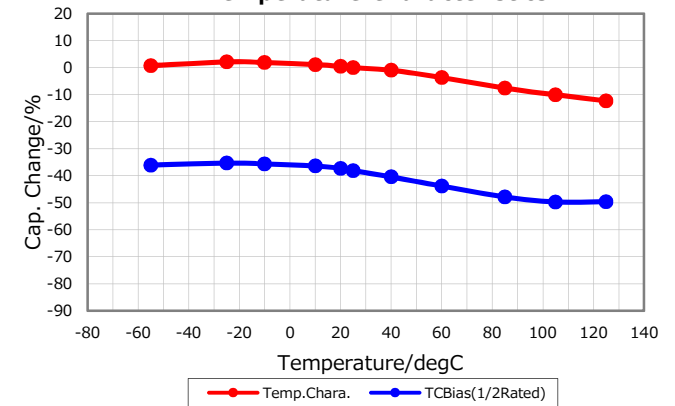
Cap. vs. Freq. Characteristic



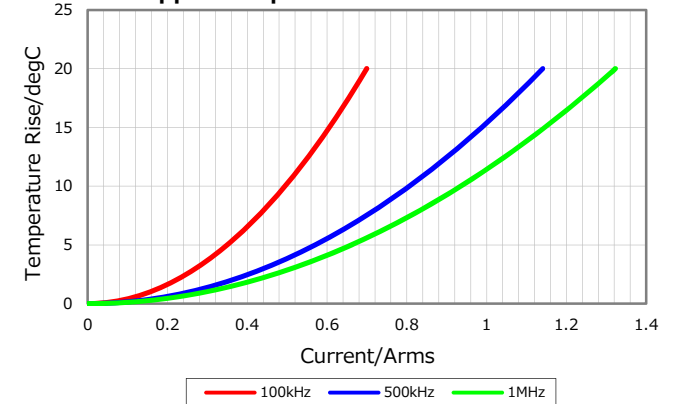
DC Bias Characteristic



Temperature Characteristics



Ripple Temperature Rise Characteristics



Characterization Sheet (Multilayer Ceramic Chip Capacitors)



All specifications are subject to change without notice.

January 11, 2020