

C1608X7S1A335K080AC

TDK Item Description : C1608X7S1A335KT****

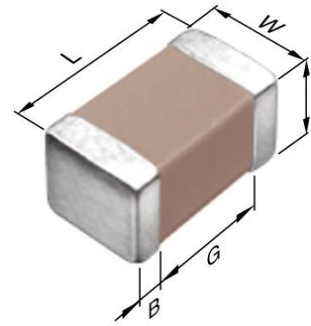


Application & Main Feature

Commercial Grade (General (Up to 50V))

Series

C1608 [EIA 0603]



Dimensions

L 1.60±0.20
W 0.80±0.20
T 0.80±0.20
B 0.20mm Min.
G 0.30mm Min.

Temperature Characteristic

X7S (-55 to 125 deg +/-22%)

Rated Voltage

1A(10Vdc)

Capacitance

3.3uF

Capacitance Tolerance

K (+/-10%)

Dissipation Factor

10% Max.

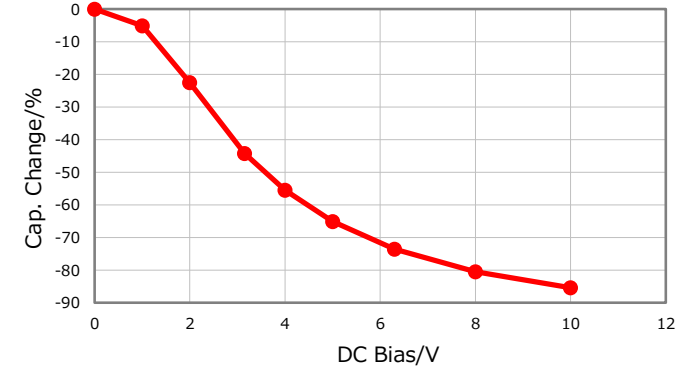
Insulation Resistance

30Mohm Min.

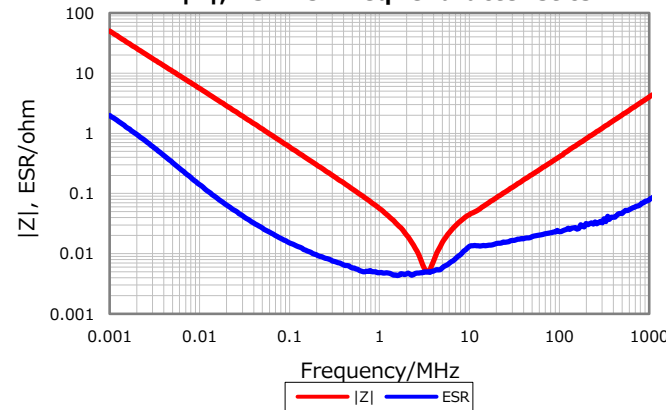
AEC-Q200

Not Applicable

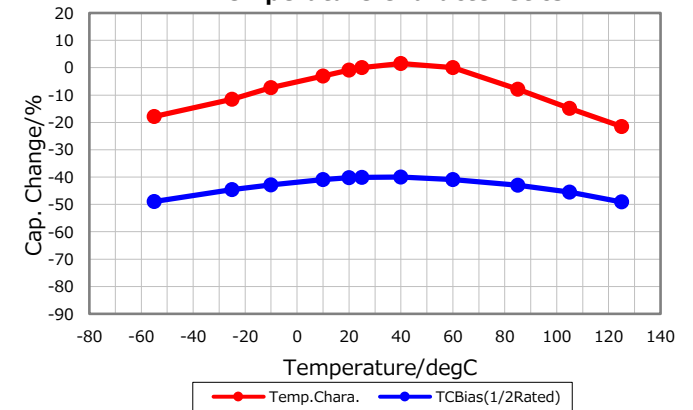
DC Bias Characteristic



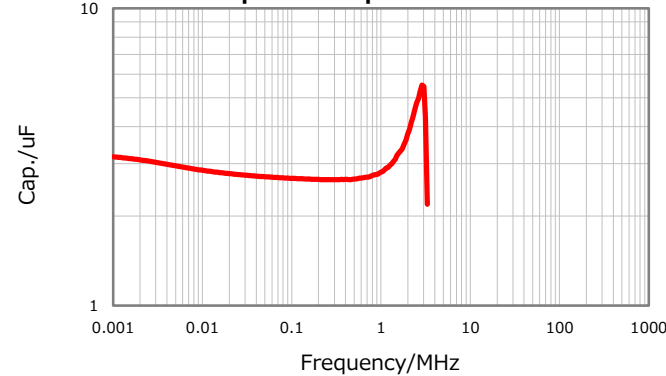
|Z|, ESR vs. Freq. Characteristics



Temperature Characteristics



Cap. vs. Freq. Characteristic



Ripple Temperature Rise Characteristics

