

C1608X7S1C225K080AC

TDK item description : C1608X7S1C225KT****

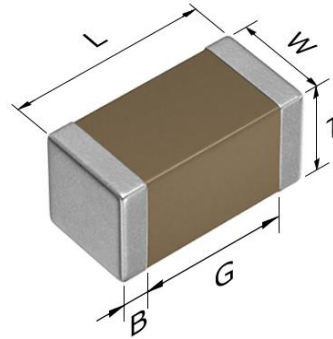


Application & Main Feature

Commercial grade (General type)

Series

C1608 [EIA 0603]



Dimensions

L 1.60±0.10 mm
 W 0.80±0.10 mm
 T 0.80±0.10 mm
 B 0.20 mm min.
 G 0.30 mm min.

Temperature Characteristic

X7S (-55 to +125 degC, ±22%)

Rated Voltage

1C (16Vdc)

Capacitance

2.2µF

Capacitance Tolerance

K (±10%)

DF

7.5 % max.

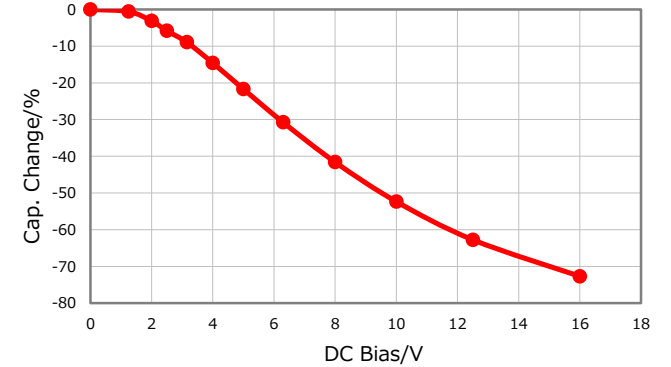
Insulation Resistance

45 Mohm min.

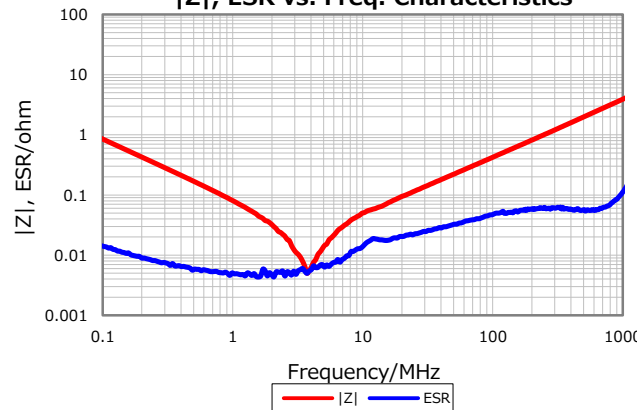
AEC-Q200

Not Applicable

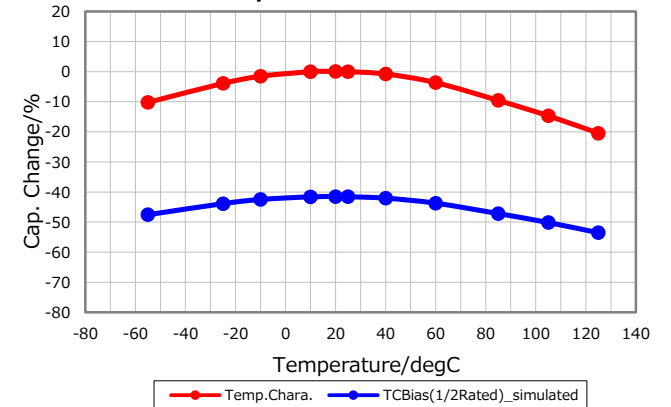
DC Bias Characteristic



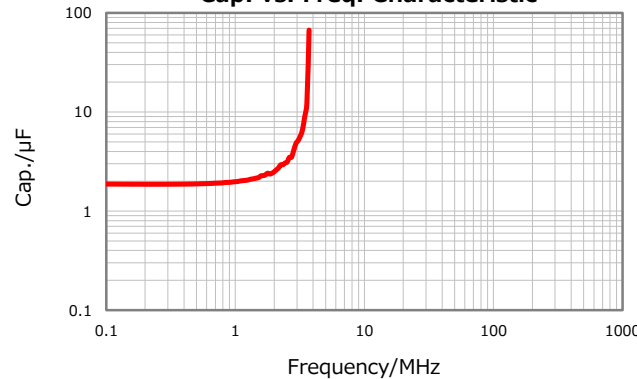
|Z|, ESR vs. Freq. Characteristics



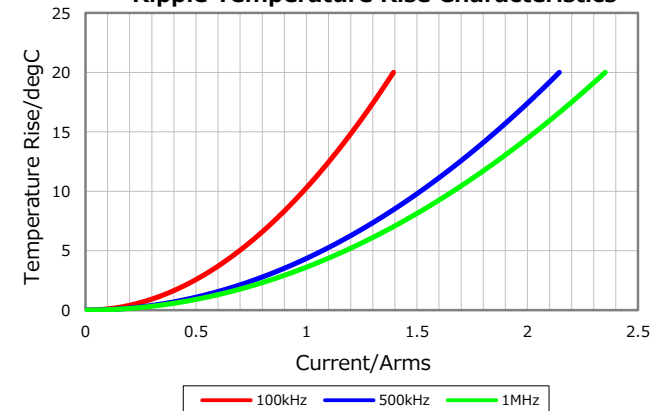
Temperature Characteristics



Cap. vs. Freq. Characteristic



Ripple Temperature Rise Characteristics



Characterization Sheet (Multilayer Ceramic Chip Capacitors)



⚠ All specifications are subject to change without notice.

January 10, 2021