

# C1608X8L1C684K080AC

TDK item description : C1608X8L1C684KT\*\*\*\*

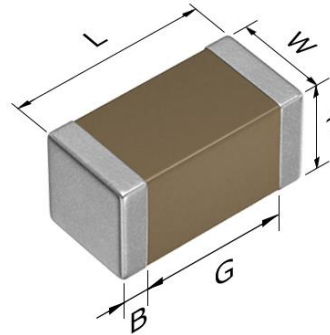


## Application & Main Feature

Commercial grade (General type)

## Series

C1608 [EIA 0603]



## Dimensions

L 1.60±0.10 mm  
 W 0.80±0.10 mm  
 T 0.80±0.10 mm  
 B 0.20 mm min.  
 G 0.30 mm min.

## Temperature Characteristic

X8L (-55 to +150 degC, +15/-40%)

## Rated Voltage

1C (16Vdc)

## Capacitance

680nF

## Capacitance Tolerance

K (±10%)

## DF

5 % max.

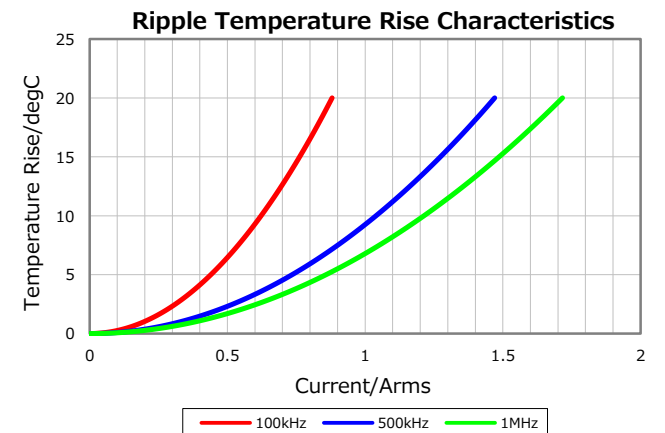
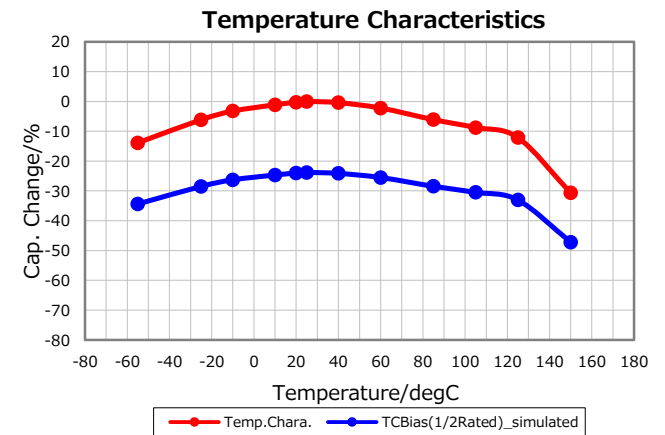
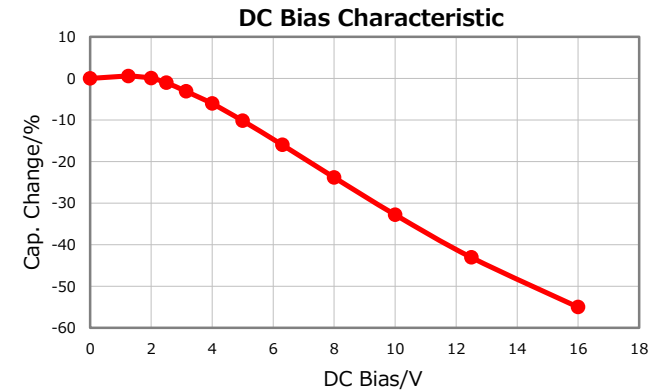
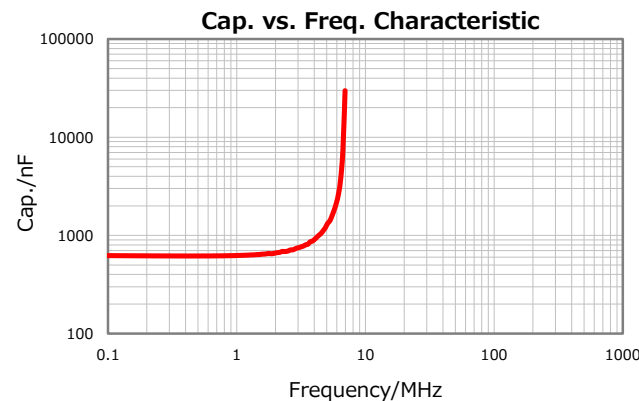
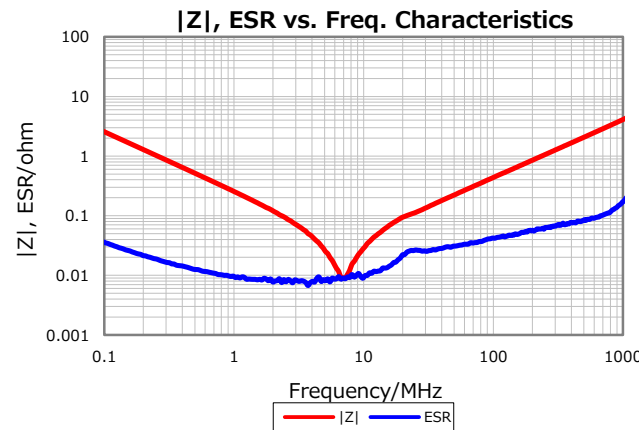
## Insulation Resistance

147 Mohm min.

## AEC-Q200

Not Applicable

Characterization Sheet ( Multilayer Ceramic Chip Capacitors )



⚠ All specifications are subject to change without notice.

January 10, 2021