

C2012JB1V475K125AC

TDK Item Description : C2012JB1V475KT****

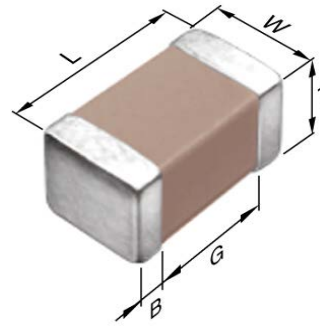


Application & Main Feature

Commercial Grade(Up to 50V)

Series

C2012 [EIA 0805]



Dimensions

L	2.00mm ±0.20mm
W	1.25mm ±0.20mm
T	1.25mm ±0.20mm
B	0.20mm Min.
G	0.50mm Min.

Temperature Characteristic

JB (-25 to 85 degC +/-10%)

Rated Voltage

1V(35Vdc)

Capacitance

4.7uF

Capacitance Tolerance

K (±10%)

Dissipation Factor

10% Max.

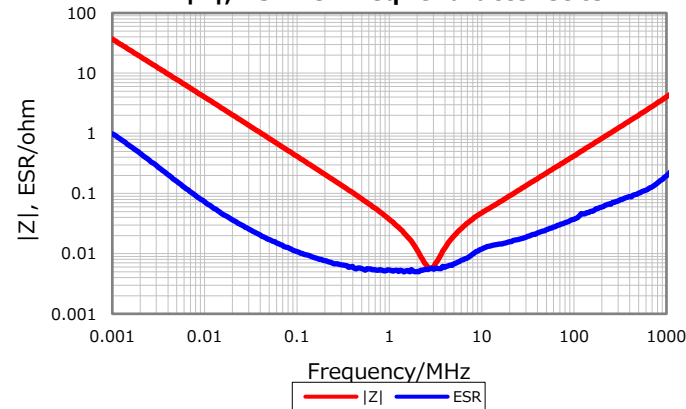
Insulation Resistance

106Mohm Min.

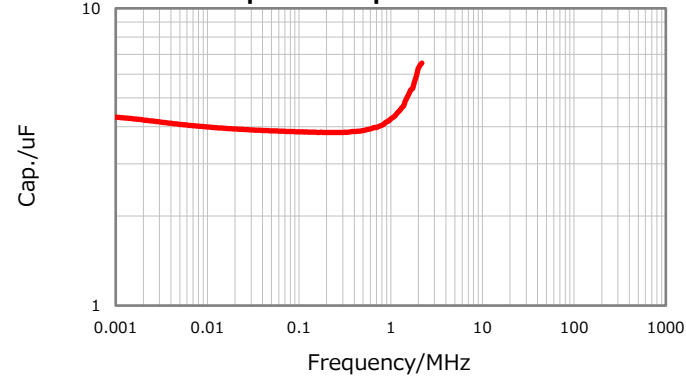
AEC-Q200

Not Applicable

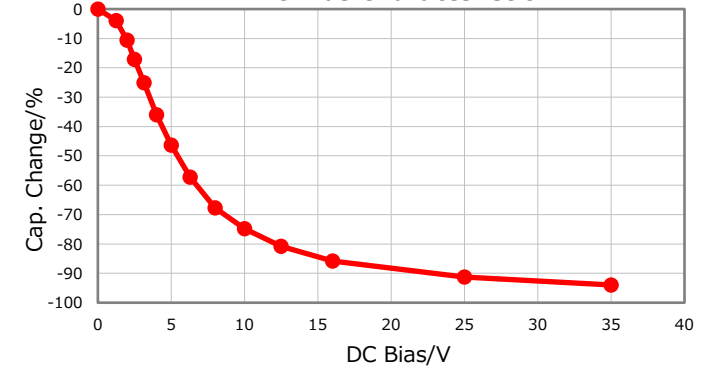
|Z|, ESR vs. Freq. Characteristics



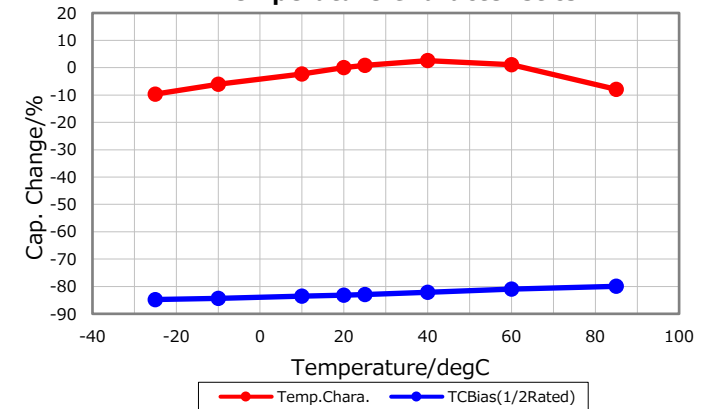
Cap. vs. Freq. Characteristic



DC Bias Characteristic



Temperature Characteristics



Ripple Temperature Rise Characteristics

