

C2012X5R1E106K085AC

TDK Item Description : C2012X5R1E106KT****

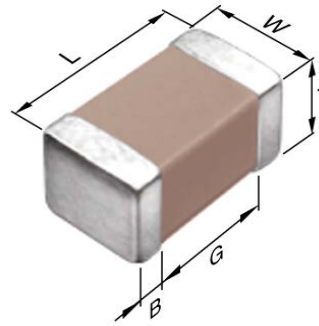


Application & Main Feature

Commercial Grade (General (Up to 50V))

Series

C2012 [EIA 0805]



Dimensions

L	2.00mm +/-0.2mm
W	1.25mm +/-0.2mm
T	0.85mm +/-0.15mm
B	0.20mm Min.
G	0.50mm Min.

Temperature Characteristic

X5R (-55 to 85 degC +/-15%)

Rated Voltage

1E (25Vdc)

Capacitance

10uF

Capacitance Tolerance

K (+/-10%)

Dissipation Factor

10% Max.

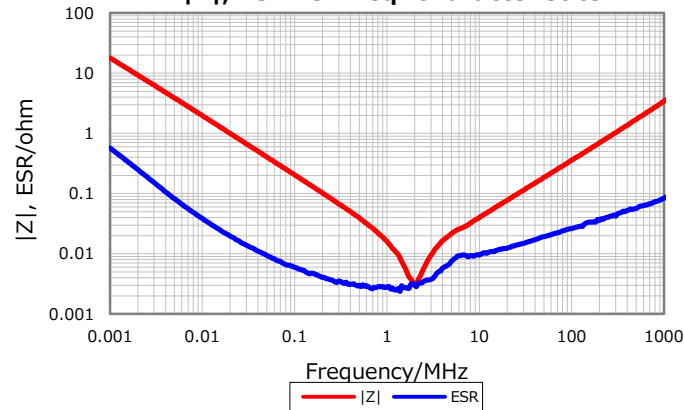
Insulation Resistance

10Mohm Min.

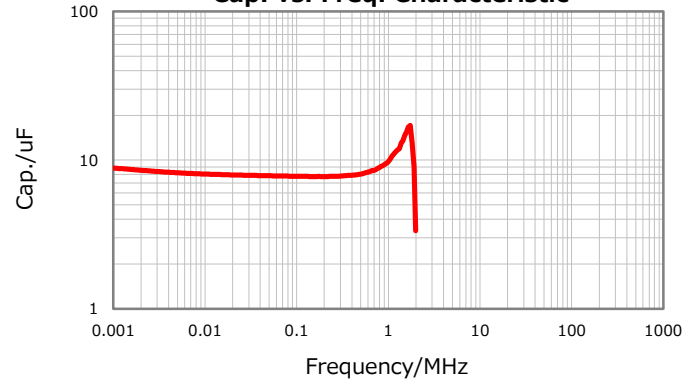
AEC-Q200

Not Applicable

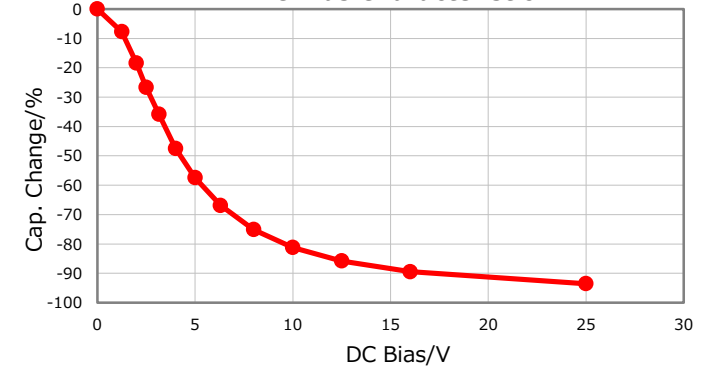
|Z|, ESR vs. Freq. Characteristics



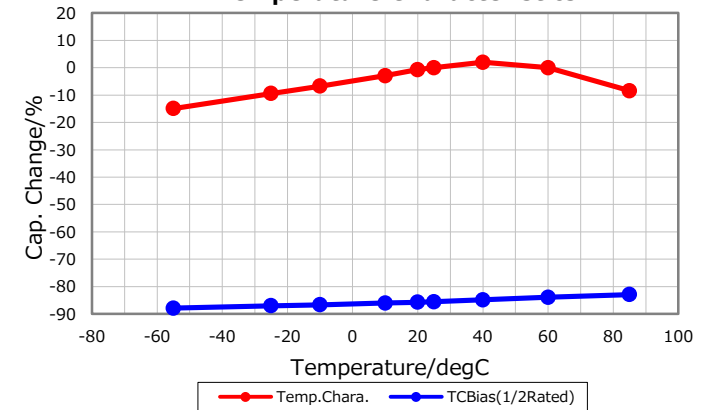
Cap. vs. Freq. Characteristic



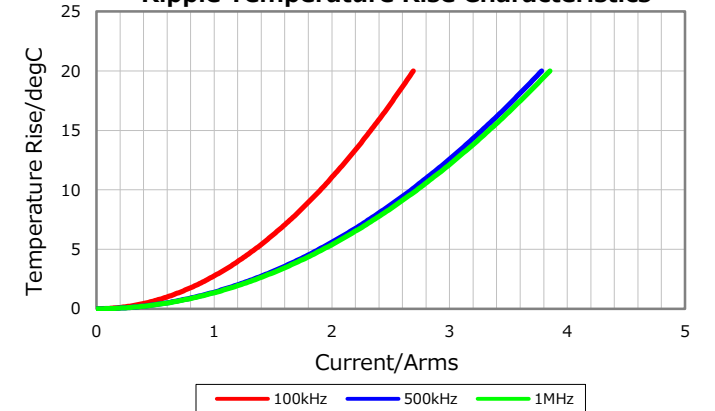
DC Bias Characteristic



Temperature Characteristics



Ripple Temperature Rise Characteristics



Characterization Sheet (Multilayer Ceramic Chip Capacitors)



All specifications are subject to change without notice.

June 27, 2018