

# C2012X6S1C226M125AC

TDK Item Description : C2012X6S1C226MT\*\*\*

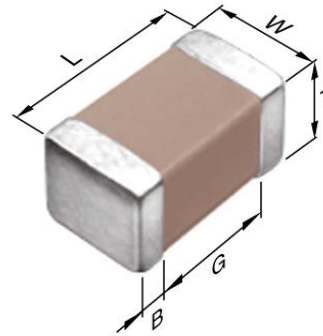


## Application & Main Feature

Commercial Grade ( General (Up to 75V) )

## Series

C2012 [EIA CC0805]



## Dimensions

L 2.00mm +/-0.2mm  
 W 1.25mm +/-0.2mm  
 T 1.25mm +/-0.2mm  
 B 0.20mm Min.  
 G 0.50mm Min.

## Temperature Characteristic

X6S (-55 to 105 degC +/-22%)

## Rated Voltage

1C (16Vdc)

## Capacitance

22uF

## Capacitance Tolerance

M (+/-20%)

## Dissipation Factor

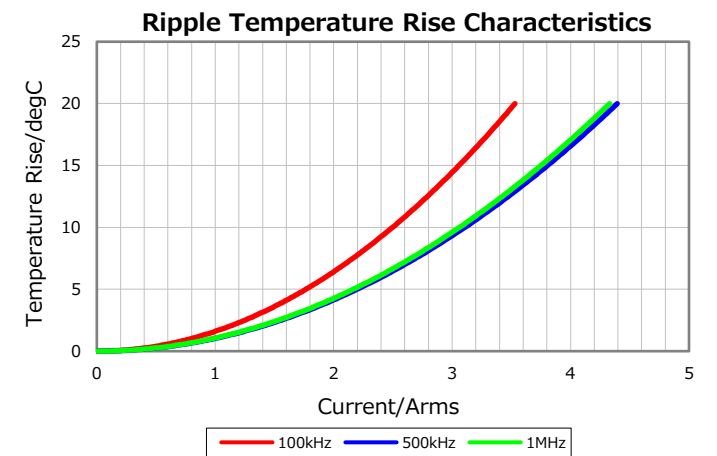
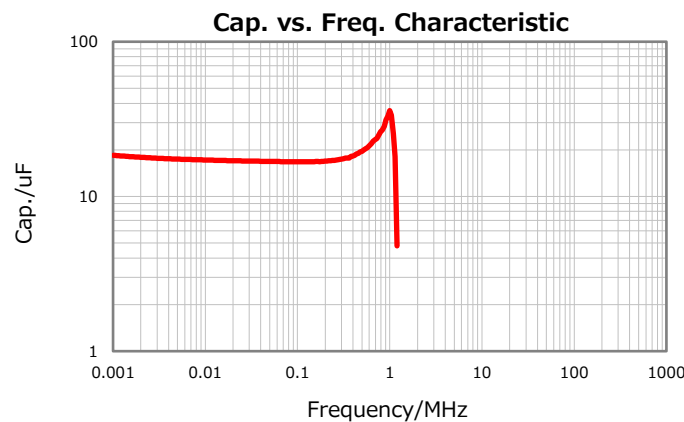
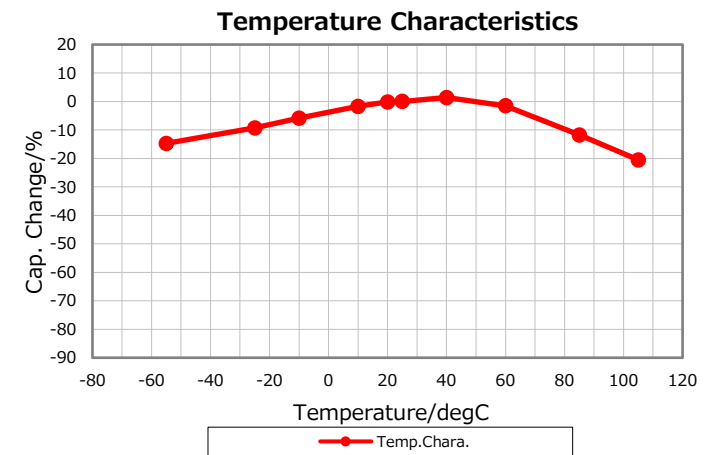
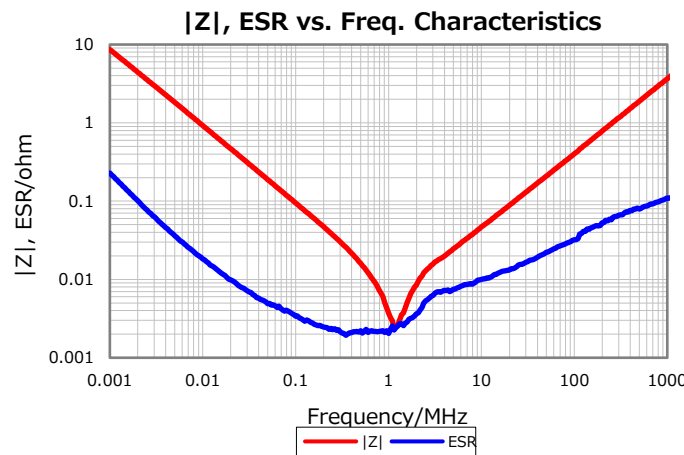
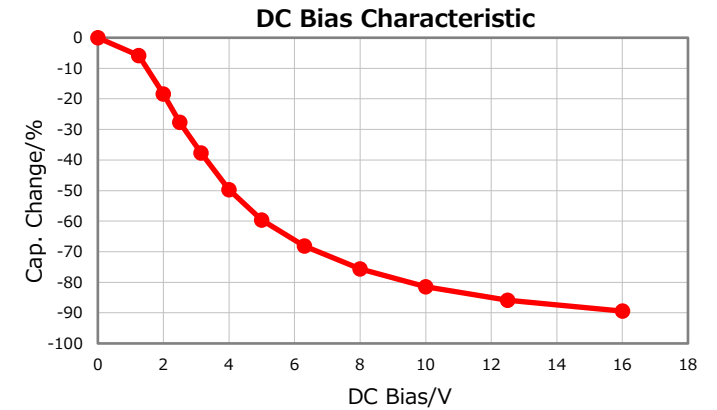
10% Max.

## Insulation Resistance

4Mohm Min.

## AEC-Q200

Not Applicable



Characterization Sheet ( Multilayer Ceramic Chip Capacitors )



All specifications are subject to change without notice.

July 9, 2019