

C2012X7R2A225K125AC

TDK item description : C2012X7R2A225KT***

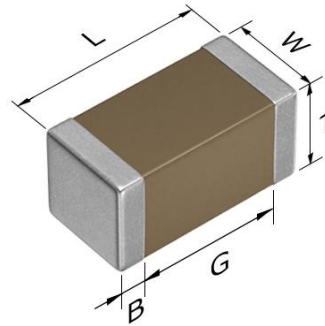


Application & Main Feature

Commercial grade (General type)

Series

C2012 [EIA 0805]



Dimensions

L 2.00+0.25,-0.15 mm
 W 1.25+0.25,-0.15 mm
 T 1.25+0.25,-0.15 mm
 B 0.20 mm min.
 G 0.50 mm min.

Temperature Characteristic

X7R (-55 to +125 degC, ±15%)

Rated Voltage

2A (100Vdc)

Capacitance

2.2µF

Capacitance Tolerance

K (±10%)

DF

5 % max.

Insulation Resistance

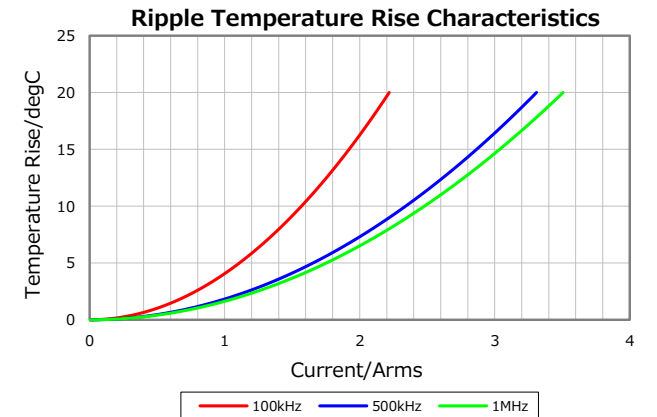
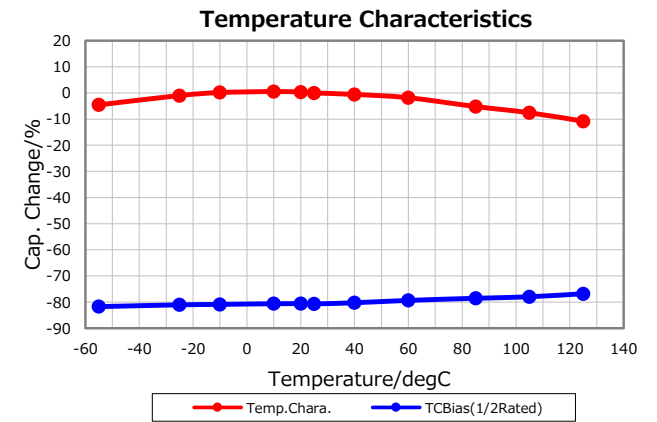
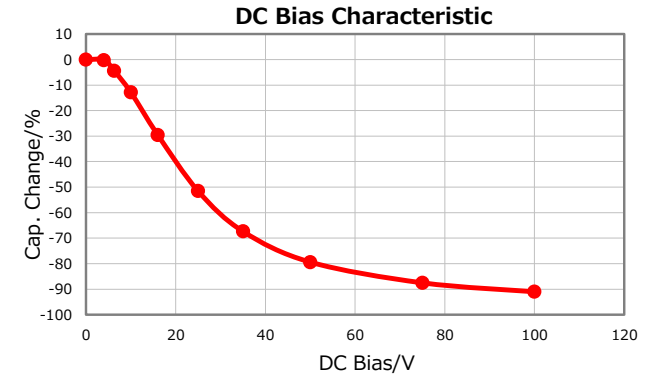
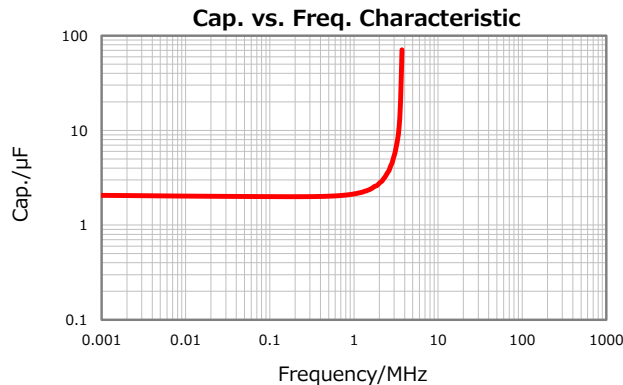
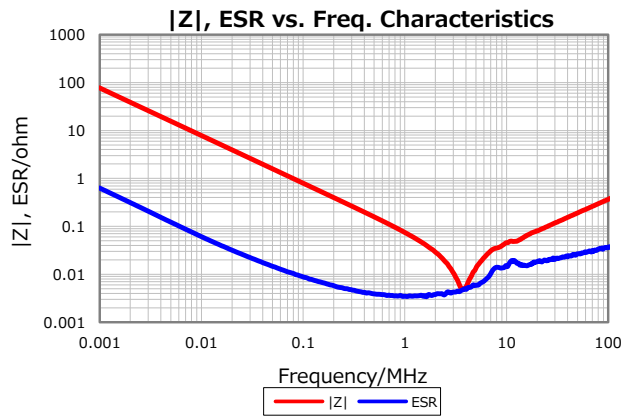
45 Mohm min.

Voltage Proof

Rated voltage (100Vdc) x 2

AEC-Q200

Not Applicable



Characterization Sheet (Multilayer Ceramic Chip Capacitors)



All specifications are subject to change without notice.

April 24, 2023