

C2012X7S1E106K125AC

TDK item description : C2012X7S1E106KT****

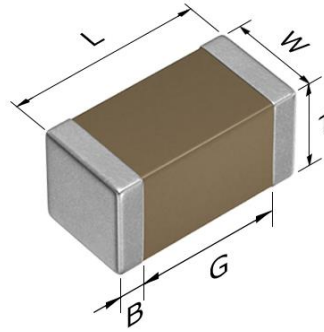


Application & Main Feature

Commercial grade (General type)

Series

C2012 [EIA 0805]



Dimensions

L	2.00+0.25,-0.15 mm
W	1.25+0.25,-0.15 mm
T	1.25+0.25,-0.15 mm
B	0.20 mm min.
G	0.50 mm min.

Temperature Characteristic

X7S (-55 to +125 degC, ±22%)

Rated Voltage

1E (25Vdc)

Capacitance

10µF

Capacitance Tolerance

K (±10%)

DF

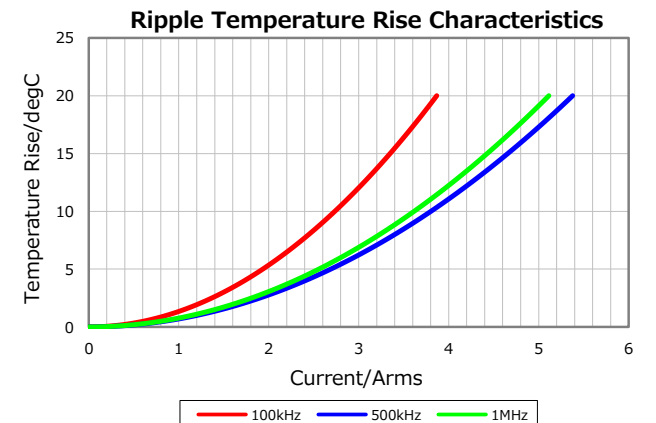
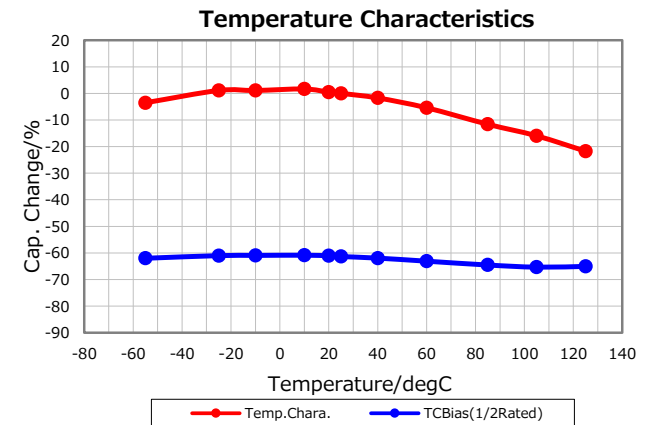
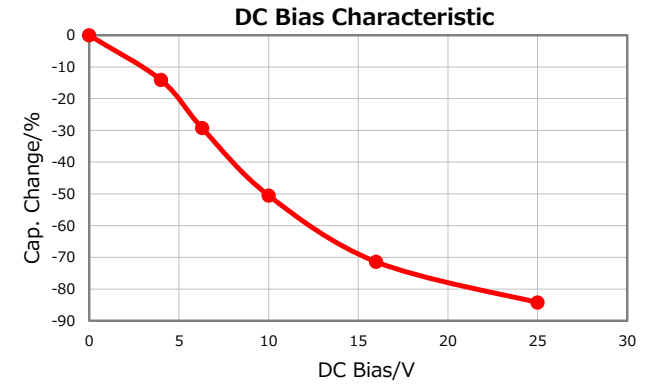
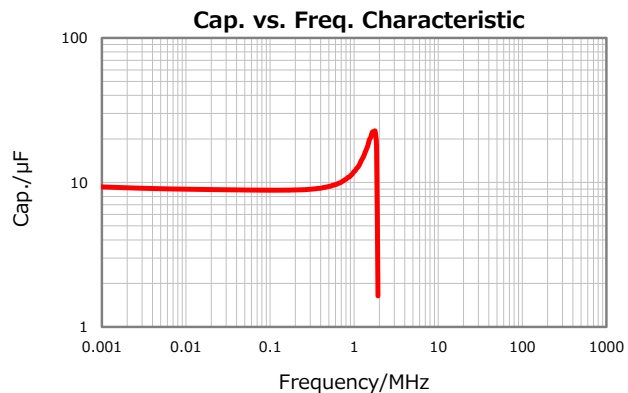
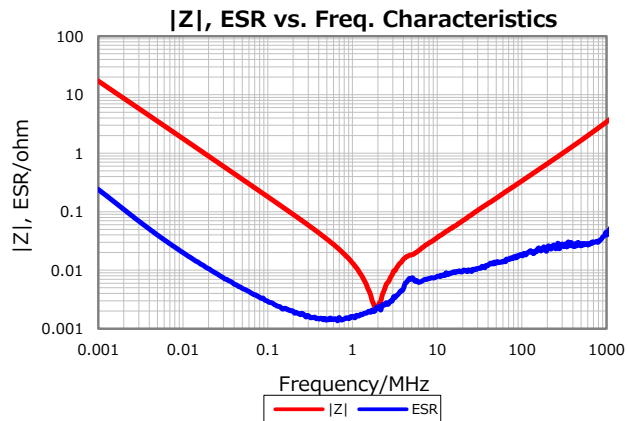
7.5 % max.

Insulation Resistance

10 Mohm min.

AEC-Q200

Not Applicable



Characterization Sheet (Multilayer Ceramic Chip Capacitors)



All specifications are subject to change without notice.

October 20, 2021