

# C2012X8L1A106K125AE

TDK item description : C2012X8L1A106KT\*\*\*S

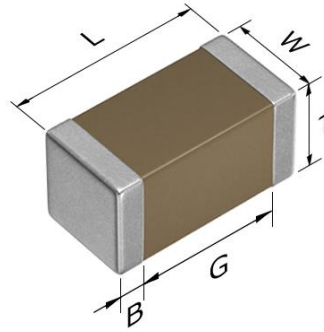


## Application & Main Feature

Commercial grade (Soft termination)

## Series

C2012 [EIA 0805]



## Dimensions

L	2.00+0.45,-0.20 mm
W	1.25+0.25,-0.20 mm
T	1.25+0.25,-0.20 mm
B	0.20 mm min.
G	0.50 mm min.

## Temperature Characteristic

X8L (-55 to +150 degC, +15/-40%)

## Rated Voltage

1A (10Vdc)

## Capacitance

10 $\mu$ F

## Capacitance Tolerance

K ( $\pm$ 10%)

## DF

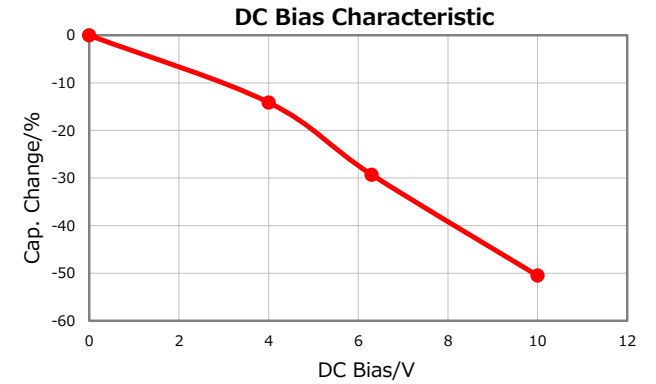
7.5 % max.

## Insulation Resistance

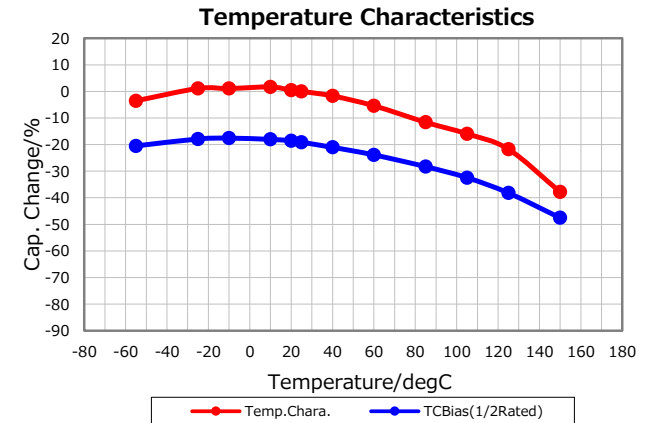
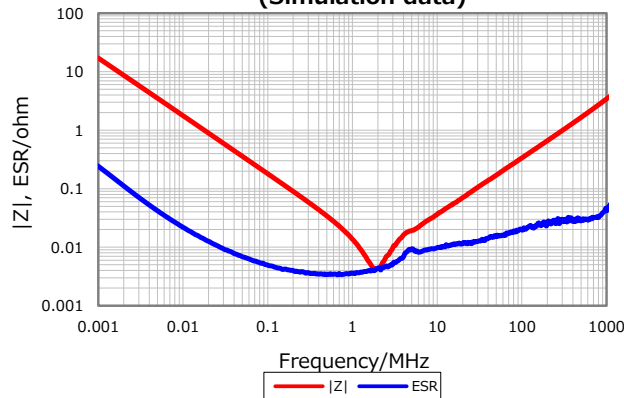
10 Mohm min.

## AEC-Q200

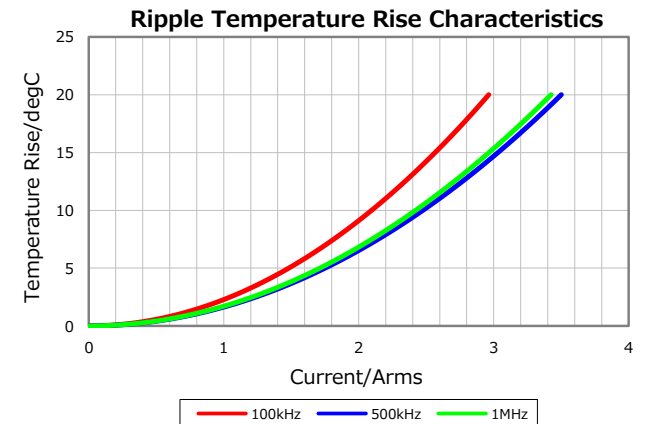
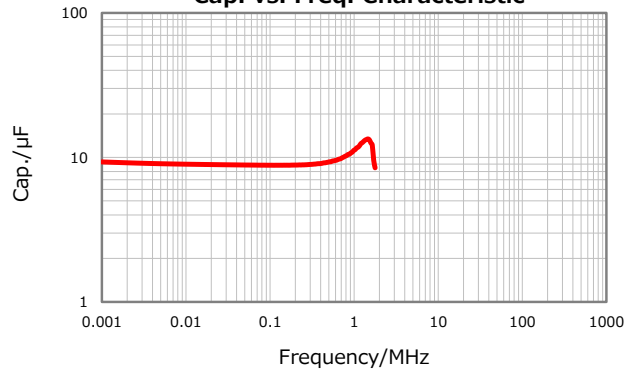
Not Applicable



### |Z|, ESR vs. Freq. Characteristics (Simulation data)



### Cap. vs. Freq. Characteristic



Characterization Sheet (Multilayer Ceramic Chip Capacitors)



All specifications are subject to change without notice.

October 20, 2021