

C2012X8L1E225K125AB

TDK item description : C2012X8L1E225KT****

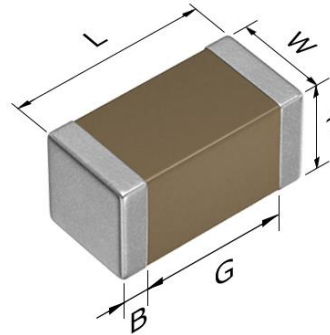


Application & Main Feature

Commercial grade (General type)

Series

C2012 [EIA 0805]



Dimensions

L 2.00±0.20 mm
 W 1.25±0.20 mm
 T 1.25±0.20 mm
 B 0.20 mm min.
 G 0.50 mm min.

Temperature Characteristic

X8L (-55 to +150 degC, +15/-40%)

Rated Voltage

1E (25Vdc)

Capacitance

2.2µF

Capacitance Tolerance

K (±10%)

DF

5 % max.

Insulation Resistance

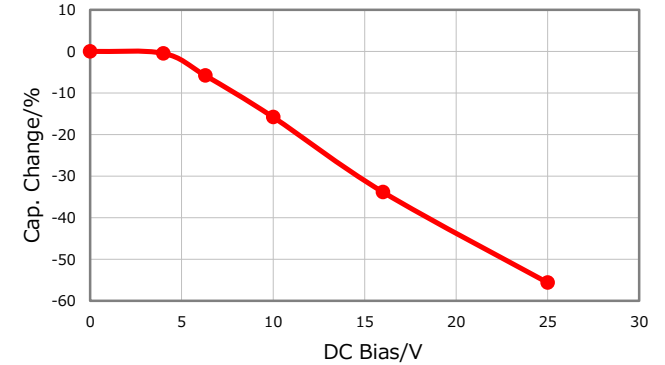
227 Mohm min.

AEC-Q200

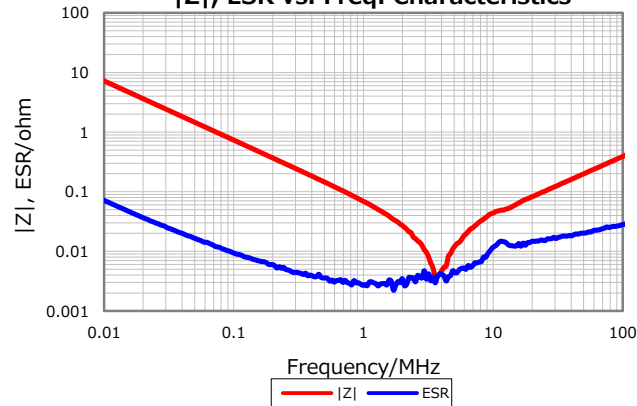
Not Applicable

Characterization Sheet (Multilayer Ceramic Chip Capacitors)

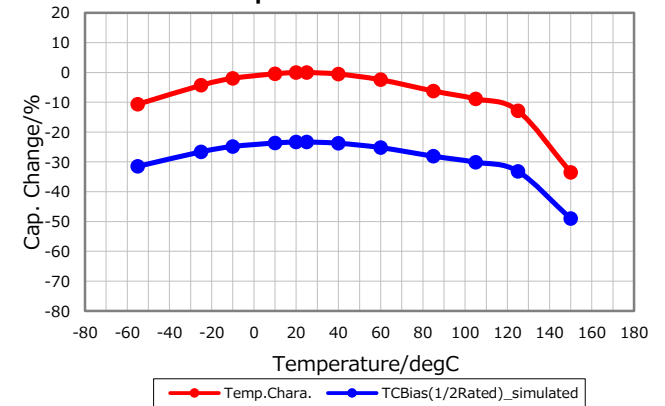
DC Bias Characteristic



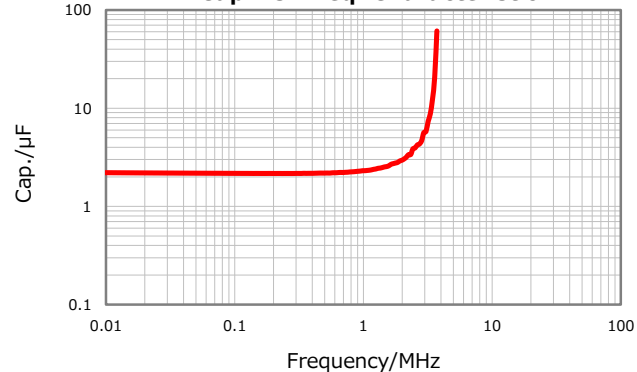
|Z|, ESR vs. Freq. Characteristics



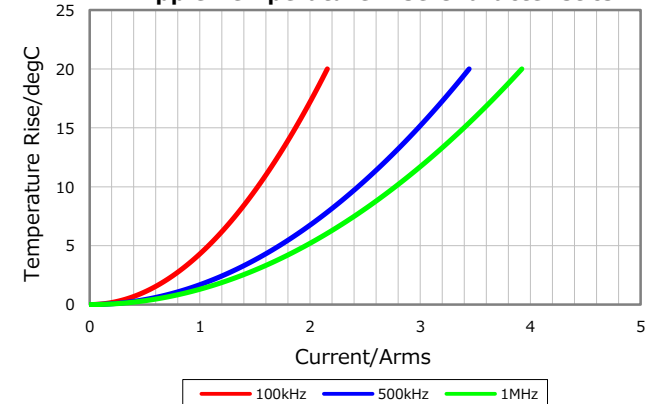
Temperature Characteristics



Cap. vs. Freq. Characteristic



Ripple Temperature Rise Characteristics



⚠ All specifications are subject to change without notice.

January 18, 2021