

C3216C0G2A104K160AC

TDK Item Description : C3216C0G2A104KT****

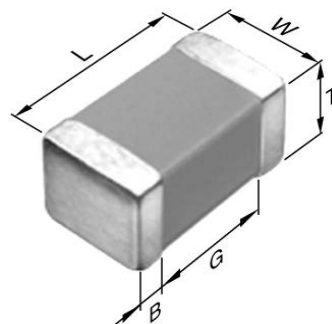


Application & Main Feature

Commercial Grade (Mid Volatage (100 to 630V))

Series

C3216 [EIA 1206]



Dimensions

L	3.20mm +/-0.2mm
W	1.60mm +/-0.2mm
T	1.60mm +/-0.2mm
B	0.20mm Min.
G	1.00mm Min.

Temperature Characteristic

C0G (-55 to 125 degC 0+/-30ppm/degC)

Rated Voltage

2A (100Vdc)

Capacitance

100nF

Capacitance Tolerance

K (+/-10%)

Q Factor

1000 Min.

Insulation Resistance

5Gohm Min

AEC-Q200

Not Applicable

