

# C3216X6S2A106K160AC

TDK item description : C3216X6S2A106KT\*\*\*\*

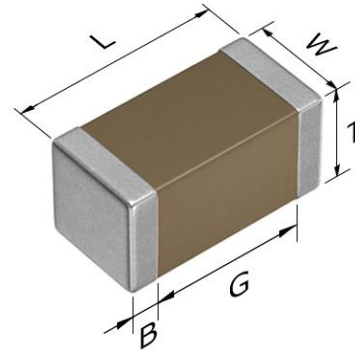


## Application & Main Feature

Commercial grade (General type)

## Series

C3216 [EIA 1206]



## Dimensions

L 3.20+0.30,-0.10 mm  
 W 1.60+0.30,-0.10 mm  
 T 1.60+0.30,-0.10 mm  
 B 0.20 mm min.  
 G 1.00 mm min.

## Temperature Characteristic

X6S (-55 to +105 degC, ±22%)

## Rated Voltage

2A (100Vdc)

## Capacitance

10µF

## Capacitance Tolerance

K (±10%)

## DF

5 % max.

## Insulation Resistance

50 Mohm min.

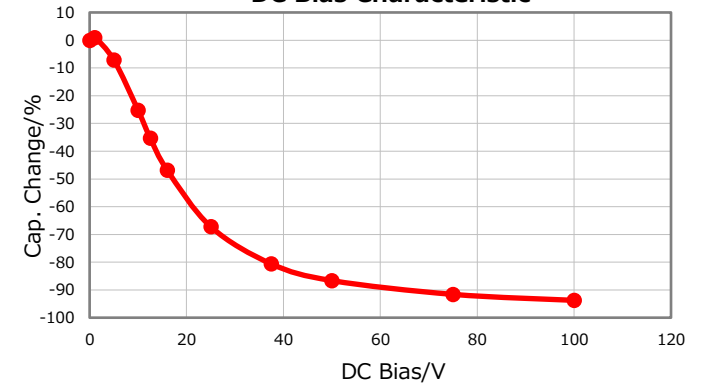
## AEC-Q200

Not Applicable

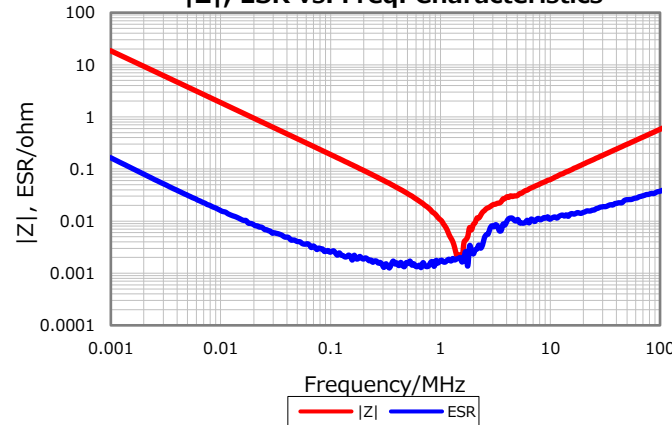
## Voltage proof

Rated voltage(100Vdc) x1.25

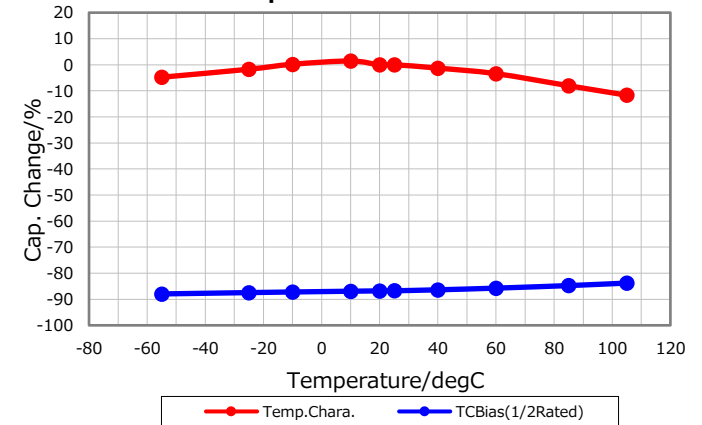
DC Bias Characteristic



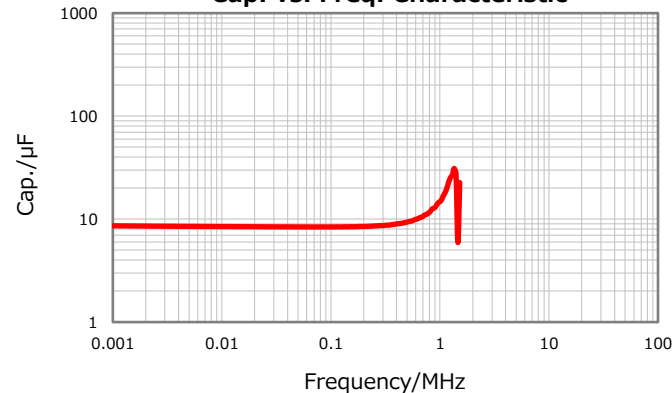
|Z|, ESR vs. Freq. Characteristics



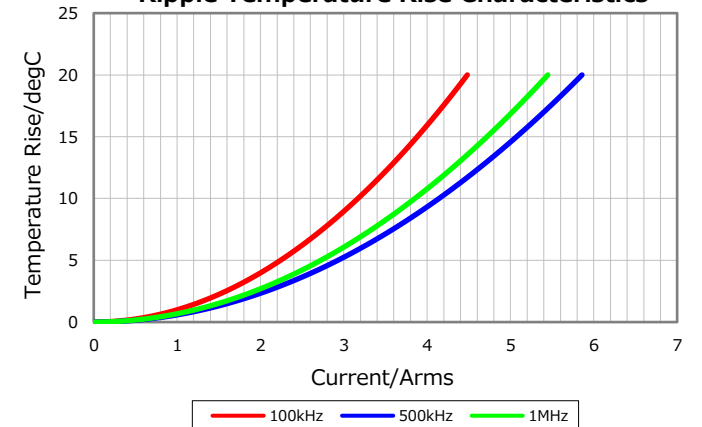
Temperature Characteristics



Cap. vs. Freq. Characteristic



Ripple Temperature Rise Characteristics



Characterization Sheet ( Multilayer Ceramic Chip Capacitors )



All specifications are subject to change without notice.

May 19, 2021