

# C3216X7S0G336M160AB

TDK Item Description : C3216X7S0G336MT\*\*\*\*

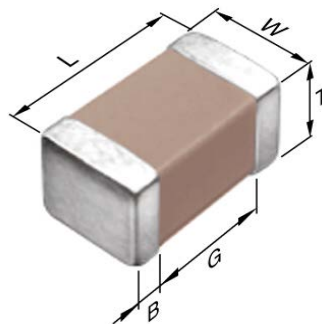


## Application & Main Feature

Commercial Grade ( General (Up to 50V) )

## Series

C3216 [EIA 1206]



## Dimensions

|   |                 |
|---|-----------------|
| L | 3.20mm +/-0.2mm |
| W | 1.60mm +/-0.2mm |
| T | 1.60mm +/-0.2mm |
| B | 0.20mm Min.     |
| G | 1.00mm Min.     |

## Temperature Characteristic

X7S (-55 to 125 degC +/-22%)

## Rated Voltage

0G (4Vdc)

## Capacitance

33uF

## Capacitance Tolerance

M (+/-20%)

## Dissipation Factor

10% Max.

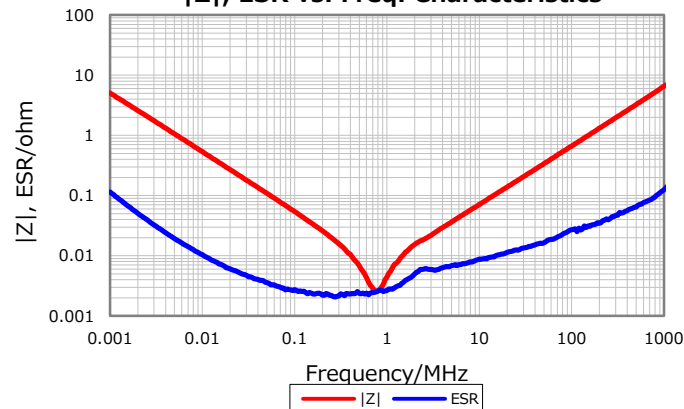
## Insulation Resistance

3Mohm Min.

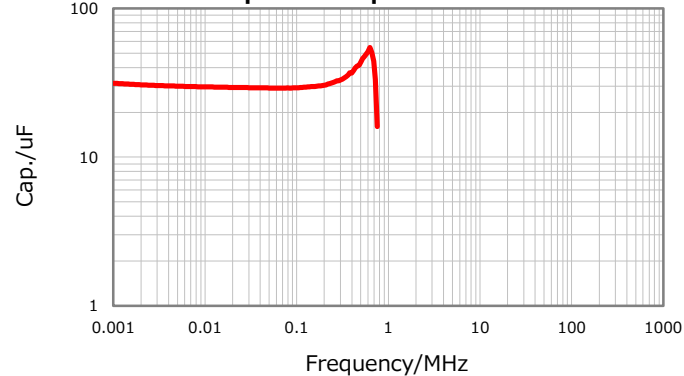
## AEC-Q200

Not Applicable

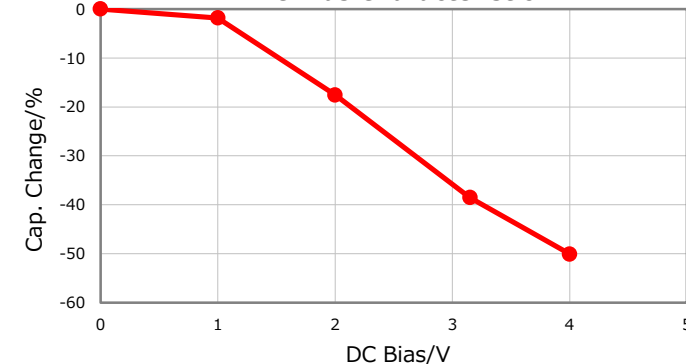
## |Z|, ESR vs. Freq. Characteristics



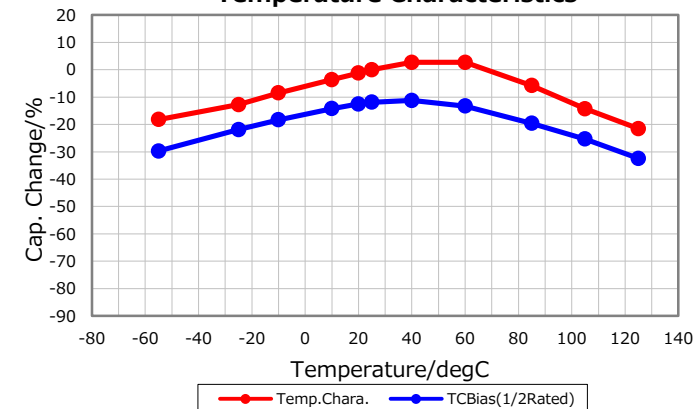
## Cap. vs. Freq. Characteristic



## DC Bias Characteristic



## Temperature Characteristics



## Ripple Temperature Rise Characteristics

