

# C3216X7S0G476M160AB

TDK Item Description : C3216X7S0G476MT\*\*\*\*

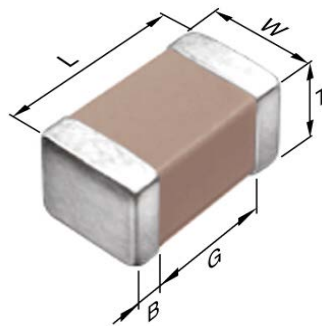


## Application & Main Feature

Commercial Grade ( General (Up to 50V) )

## Series

C3216 [EIA 1206]



## Dimensions

L	3.20mm +/-0.2mm
W	1.60mm +/-0.2mm
T	1.60mm +/-0.2mm
B	0.20mm Min.
G	1.00mm Min.

## Temperature Characteristic

X7S (-55 to 125 degC +/-22%)

## Rated Voltage

0G (4Vdc)

## Capacitance

47uF

## Capacitance Tolerance

M (+/-20%)

## Dissipation Factor

10% Max.

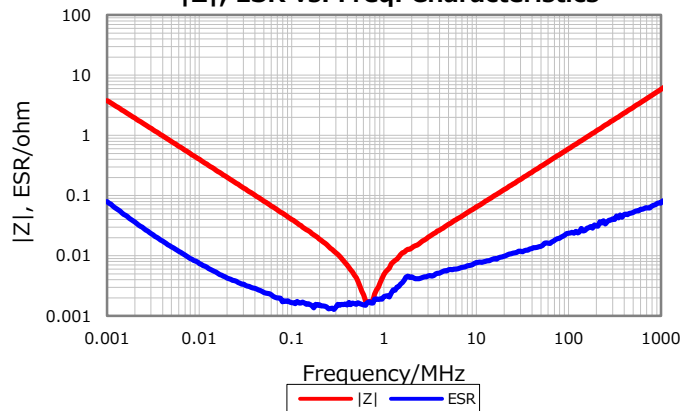
## Insulation Resistance

2Mohm Min.

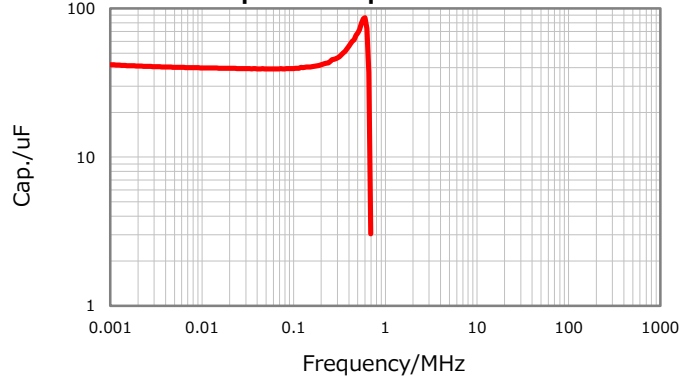
## AEC-Q200

Not Applicable

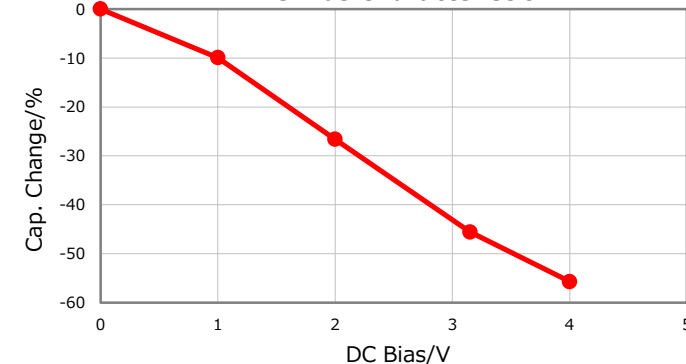
## |Z|, ESR vs. Freq. Characteristics



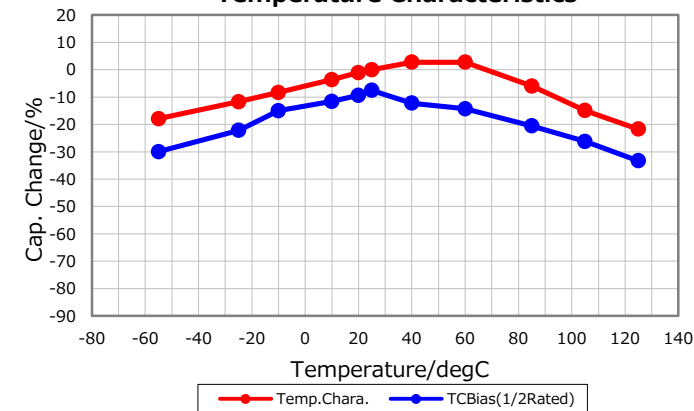
## Cap. vs. Freq. Characteristic



## DC Bias Characteristic



## Temperature Characteristics



## Ripple Temperature Rise Characteristics

