

C3216X8R1C335K160AB

TDK Item Description : C3216X8R1C335KT****

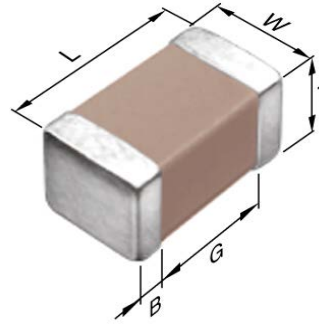


Application & Main Feature

Commercial Grade (High Temperature Application)

Series

C3216 [EIA 1206]



Dimensions

L	3.20mm +/-0.2mm
W	1.60mm +/-0.2mm
T	1.60mm +/-0.2mm
B	0.20mm Min.
G	1.00mm Min.

Temperature Characteristic

X8R (-55 to 150 deg +/-15%)

Rated Voltage

1C (16Vdc)

Capacitance

3.3uF

Capacitance Tolerance

K (+/-10%)

Dissipation Factor

5% Max.

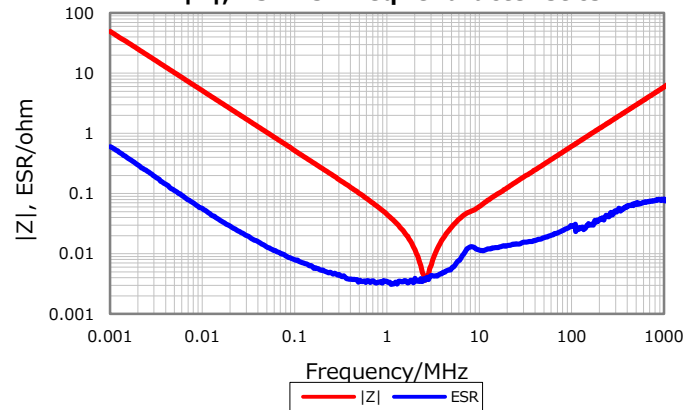
Insulation Resistance

30Mohm Min.

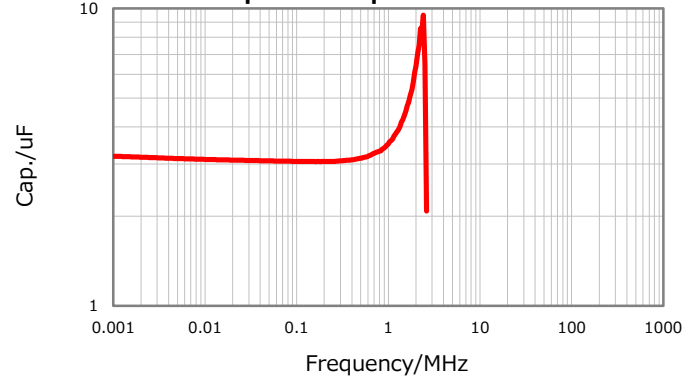
AEC-Q200

Not Applicable

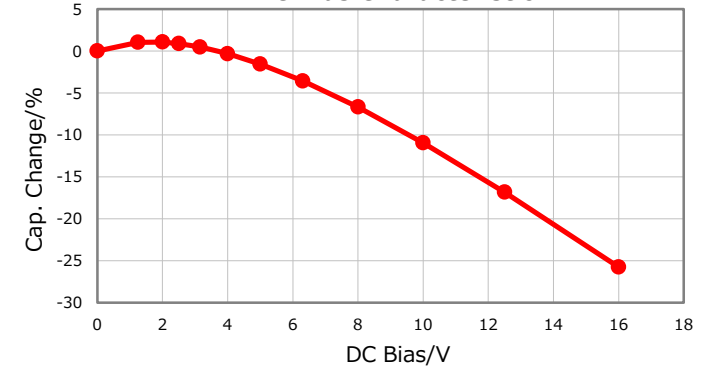
|Z|, ESR vs. Freq. Characteristics



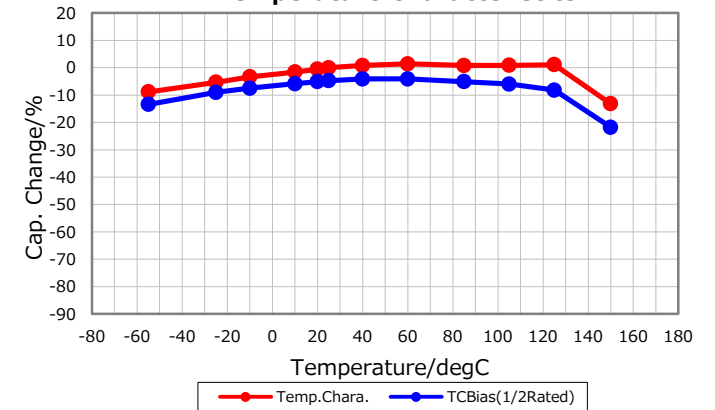
Cap. vs. Freq. Characteristic



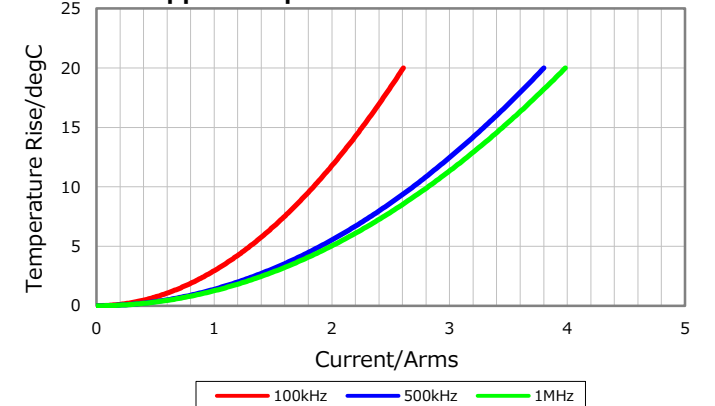
DC Bias Characteristic



Temperature Characteristics



Ripple Temperature Rise Characteristics



Characterization Sheet (Multilayer Ceramic Chip Capacitors)



All specifications are subject to change without notice.

June 5, 2018