

# C3216X8R1E105K160AE

TDK Item Description : C3216X8R1E105KT\*\*\*S

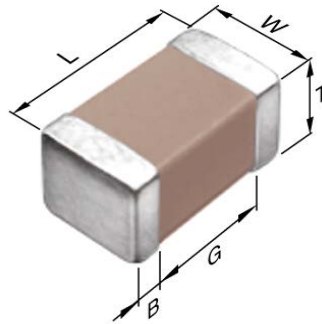


## Application & Main Feature

Commercial Grade ( Soft Termination )

## Series

C3216 [EIA CC1206]



## Dimensions

|   |                    |
|---|--------------------|
| L | 3.20mm +0.4,-0.2mm |
| W | 1.60mm +0.3,-0.2mm |
| T | 1.60mm +0.3,-0.2mm |
| B | 0.20mm Min.        |
| G | 1.00mm Min.        |

## Temperature Characteristic

X8R (-55 to 150 degC +/-15%)

## Rated Voltage

1E (25Vdc)

## Capacitance

1uF

## Capacitance Tolerance

K (+/-10%)

## Dissipation Factor

3% Max.

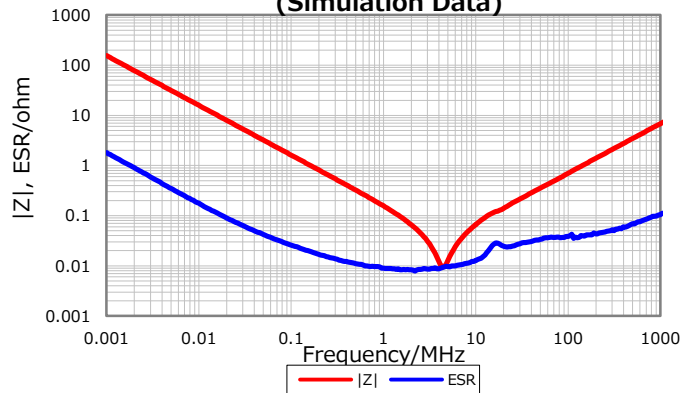
## Insulation Resistance

500Mohm Min.

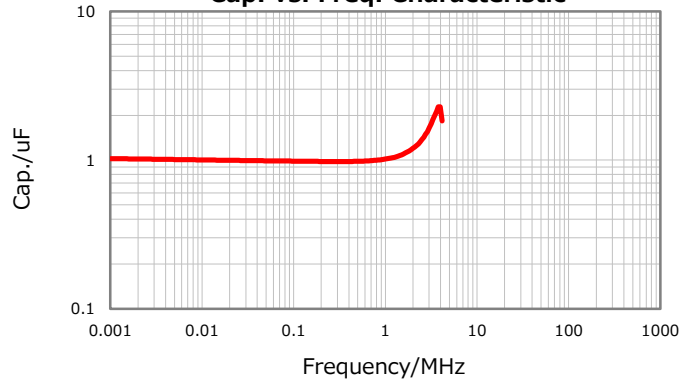
## AEC-Q200

Not Applicable

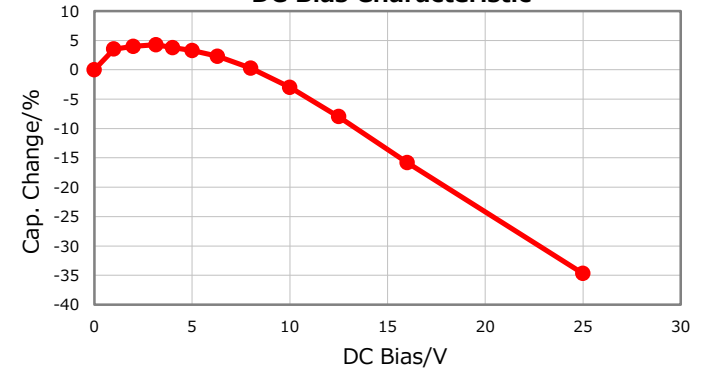
**|Z|, ESR vs. Freq. Characteristics  
(Simulation Data)**



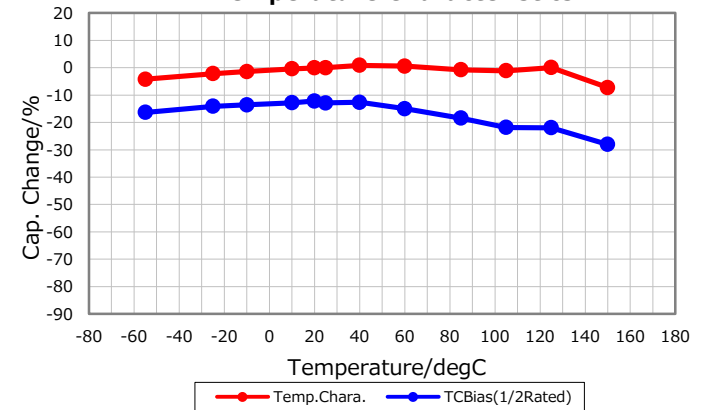
**Cap. vs. Freq. Characteristic**



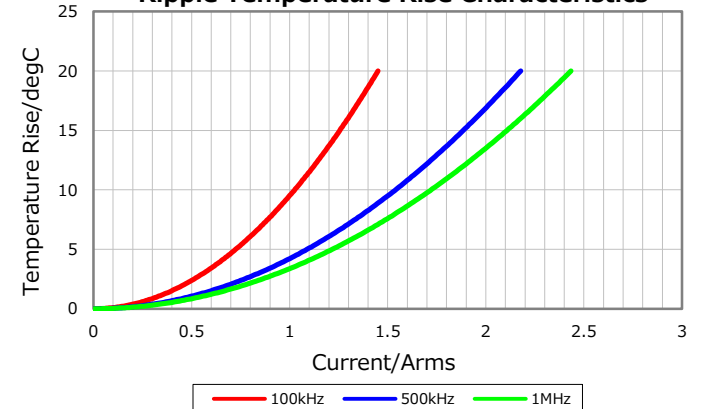
**DC Bias Characteristic**



**Temperature Characteristics**



**Ripple Temperature Rise Characteristics**



Characterization Sheet ( Multilayer Ceramic Chip Capacitors )



All specifications are subject to change without notice.

March 16, 2017