

C3225NP02J333J250AA

TDK Item Description : C3225NP02J333J****

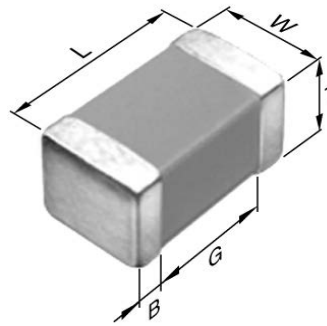


Application & Main Feature

Commercial Grade (High Temperature Application)

Series

C3225 [EIA 1210]



Dimensions

L	3.20mm ±0.40mm
W	2.50mm ±0.30mm
T	2.50mm ±0.30mm
B	0.20mm Min.
G	

Temperature Characteristic

NP0 (-55 to 150 degC 0+/-30ppm/degC)

Rated Voltage

2J(630Vdc)

Capacitance

33nF

Capacitance Tolerance

J (±5%)

Q Factor

1000 Min.

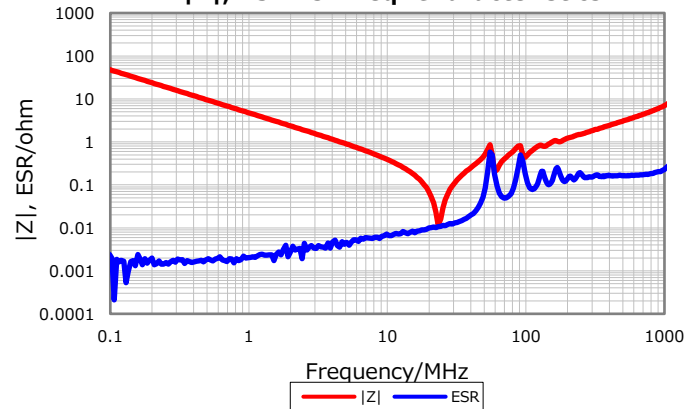
Insulation Resistance

10Gohm Min

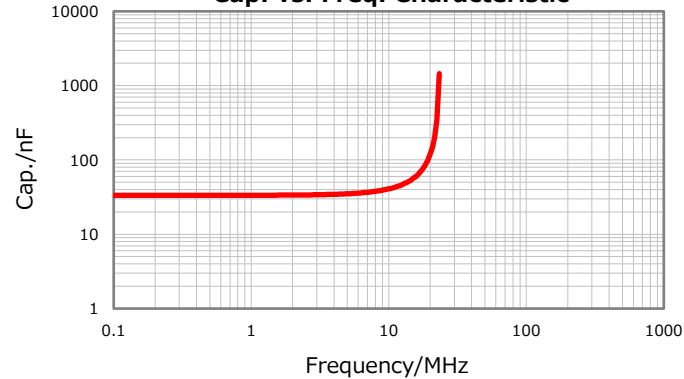
AEC-Q200

Not Applicable

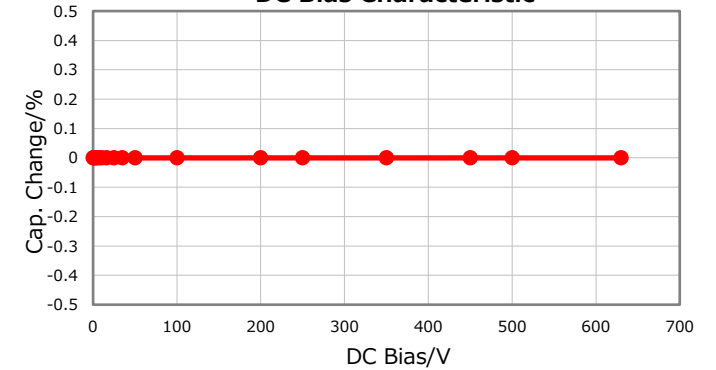
|Z|, ESR vs. Freq. Characteristics



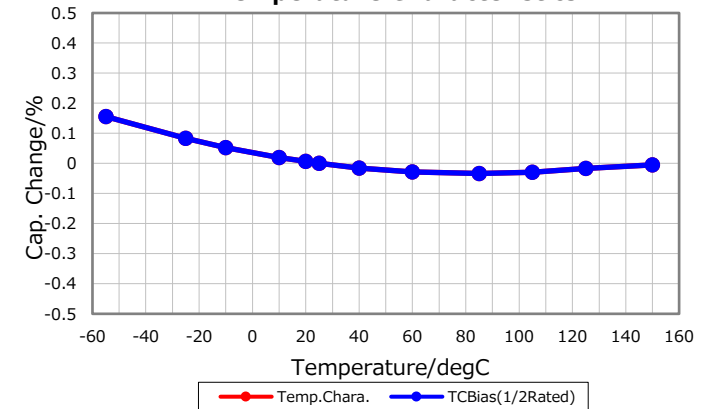
Cap. vs. Freq. Characteristic



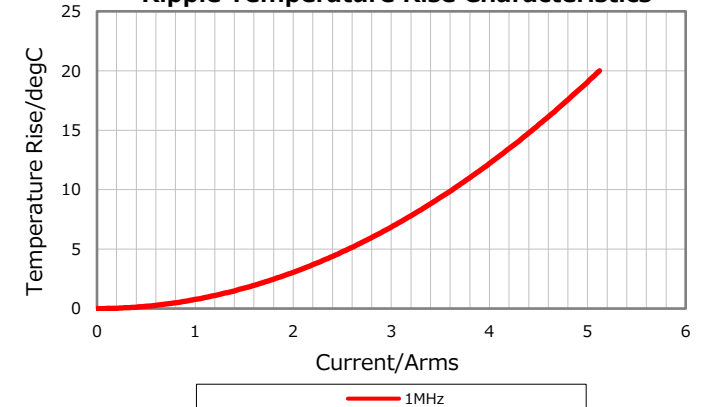
DC Bias Characteristic



Temperature Characteristics



Ripple Temperature Rise Characteristics



Characterization Sheet (Multilayer Ceramic Chip Capacitors)



All specifications are subject to change without notice.

May 22, 2019