

C3225NP02W333J250AA

TDK Item Description : C3225NP02W333J****

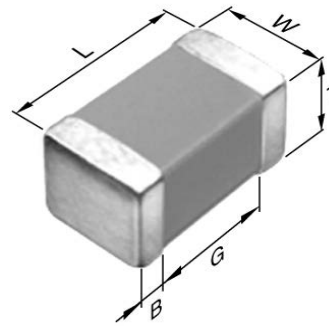


Application & Main Feature

Commercial Grade (High Temperature Application)

Series

C3225 [EIA 1210]



Dimensions

L	3.20mm ±0.40mm
W	2.50mm ±0.30mm
T	2.50mm ±0.30mm
B	0.20mm Min.
G	

Temperature Characteristic

NP0 (-55 to 150 degC 0+/-30ppm/degC)

Rated Voltage

2W(450Vdc)

Capacitance

33nF

Capacitance Tolerance

J (±5%)

Q Factor

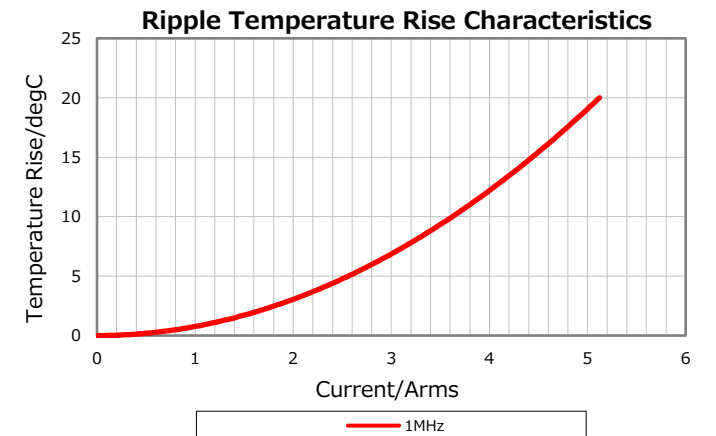
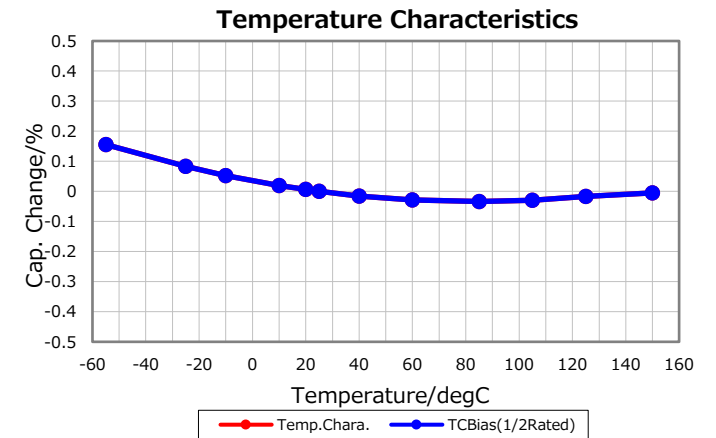
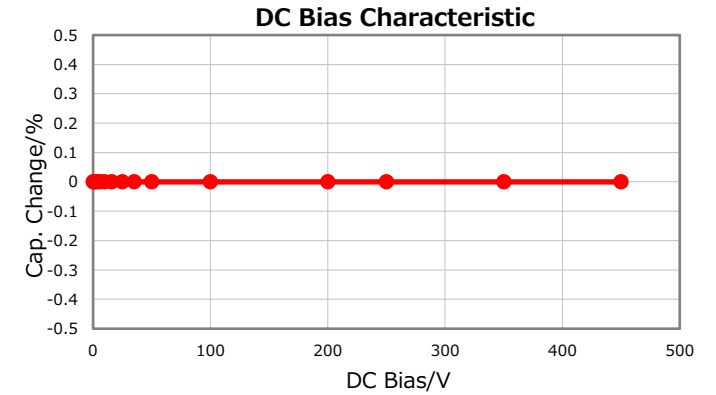
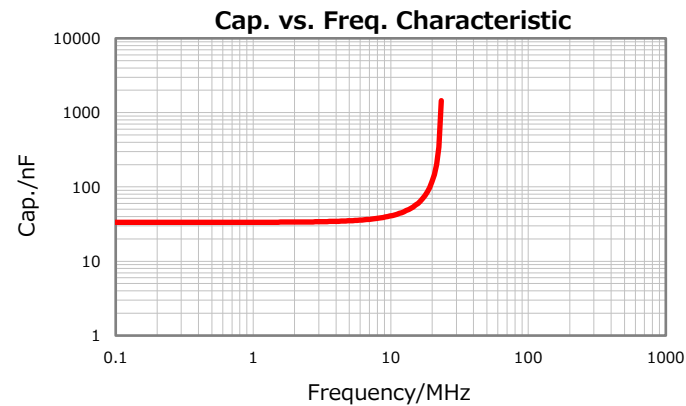
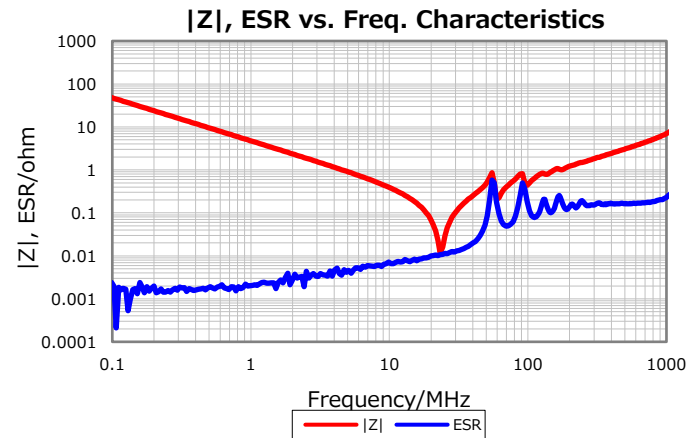
1000 Min.

Insulation Resistance

10Gohm Min

AEC-Q200

Not Applicable



Characterization Sheet (Multilayer Ceramic Chip Capacitors)



All specifications are subject to change without notice.

May 22, 2019