

C3225X5R0J107M250AC

TDK Item Description : C3225X5R0J107MT****

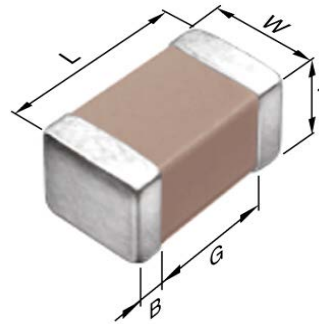


Application & Main Feature

Commercial Grade (General (Up to 50V))

Series

C3225 [EIA 1210]



Dimensions

L	3.20mm +/-0.4mm
W	2.50mm +/-0.3mm
T	2.50mm +/-0.3mm
B	0.20mm Min.
G	

Temperature Characteristic

X5R (-55 to 85 degC +/-15%)

Rated Voltage

0J (6.3Vdc)

Capacitance

100uF

Capacitance Tolerance

M (+/-20%)

Dissipation Factor

15% Max.

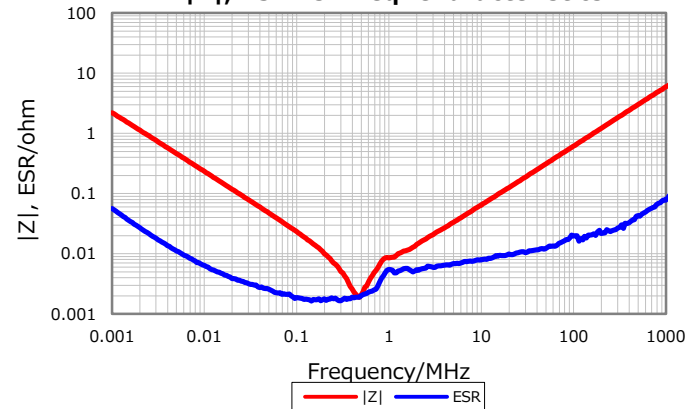
Insulation Resistance

1Mohm Min.

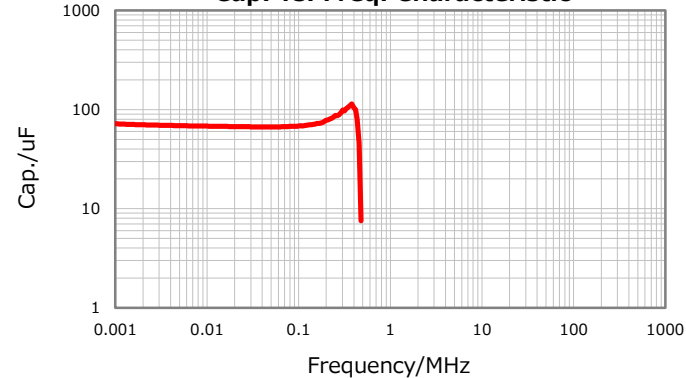
AEC-Q200

Not Applicable

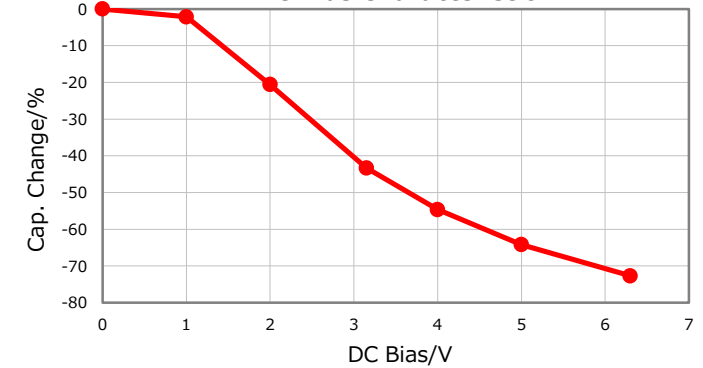
|Z|, ESR vs. Freq. Characteristics



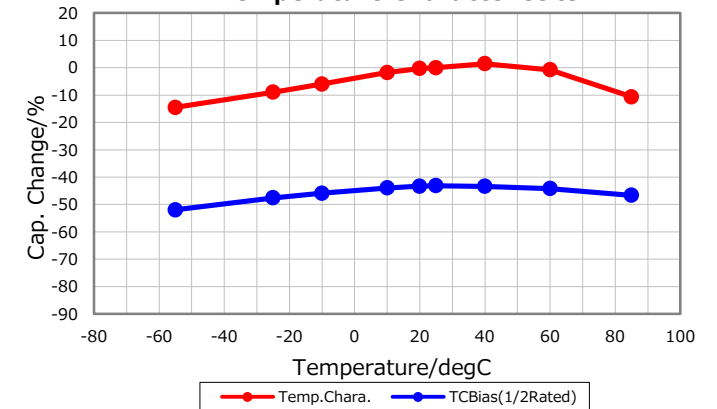
Cap. vs. Freq. Characteristic



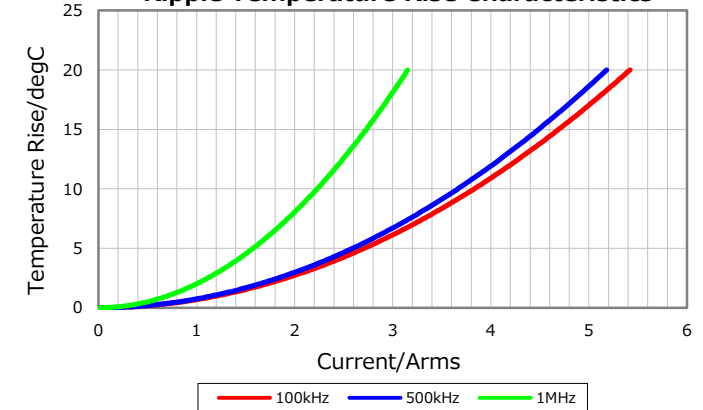
DC Bias Characteristic



Temperature Characteristics



Ripple Temperature Rise Characteristics



Characterization Sheet (Multilayer Ceramic Chip Capacitors)



All specifications are subject to change without notice.

June 27, 2018