

C3225X6S1A107M250AC

TDK item description : C3225X6S1A107MT****

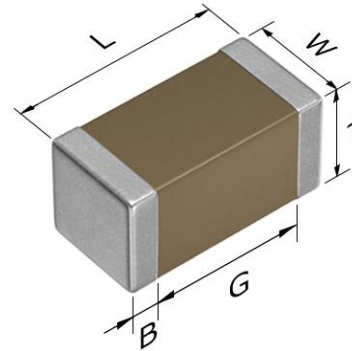


Application & Main Feature

Commercial grade (General type)

Series

C3225 [EIA 1210]



Dimensions

L 3.20±0.40 mm
 W 2.50+0.40,-0.30 mm
 T 2.50+0.40,-0.30 mm
 B 0.20 mm min.
 G ---

Temperature Characteristic

X6S (-55 to +105 degC, ±22%)

Rated Voltage

1A (10Vdc)

Capacitance

100µF

Capacitance Tolerance

M (±20%)

DF

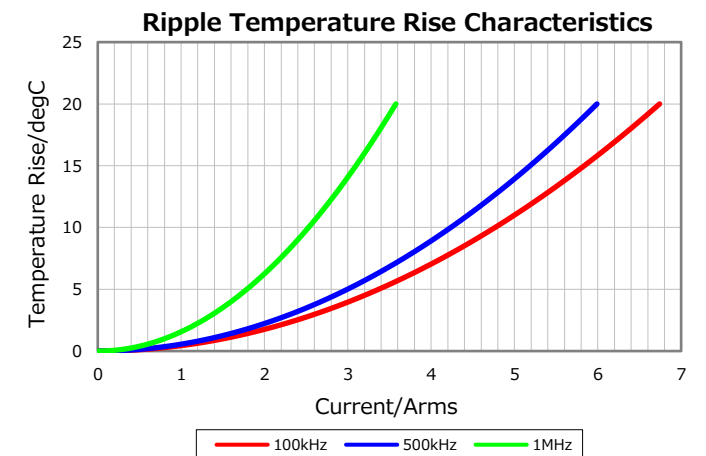
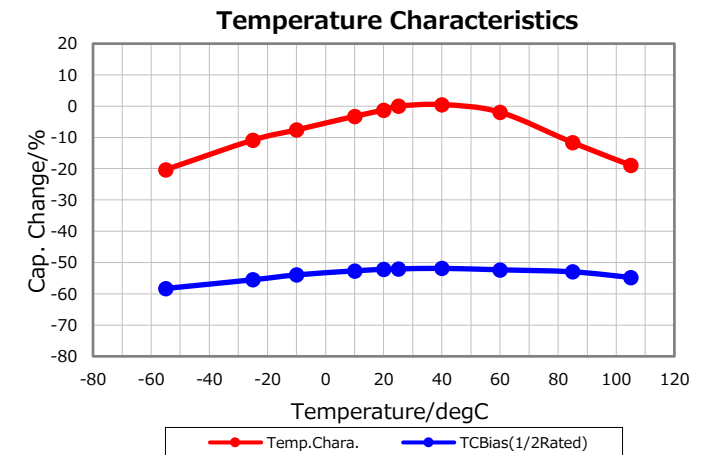
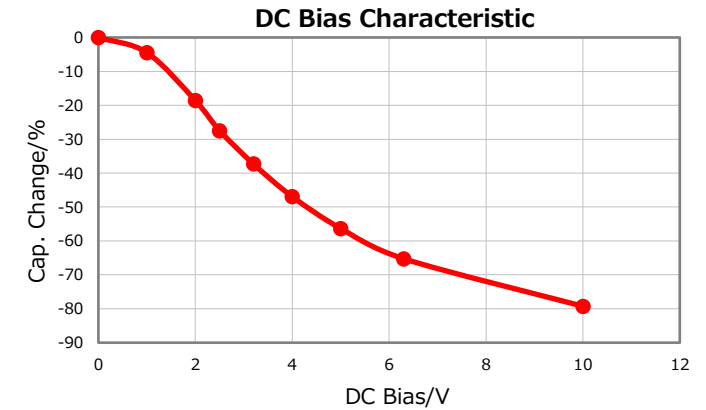
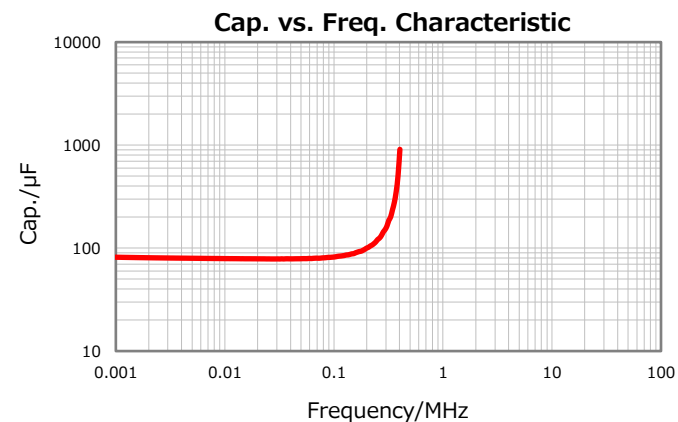
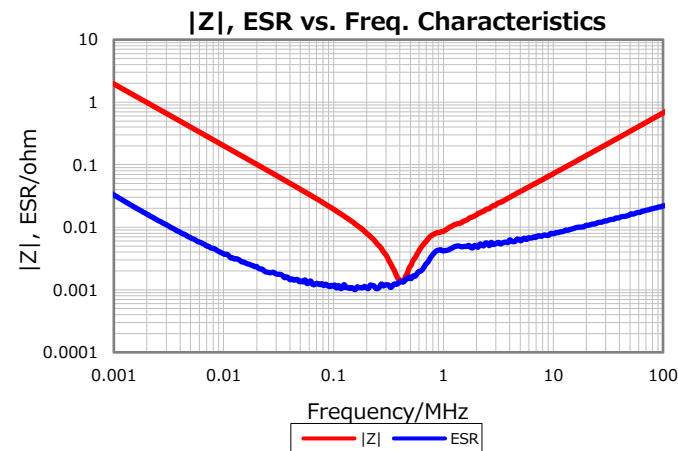
10 % max.

Insulation Resistance

1 Mohm min.

AEC-Q200

Not Applicable



Characterization Sheet (Multilayer Ceramic Chip Capacitors)



All specifications are subject to change without notice.

February 24, 2021