

C3225X7R1E226M250AB

TDK item description : C3225X7R1E226MT****

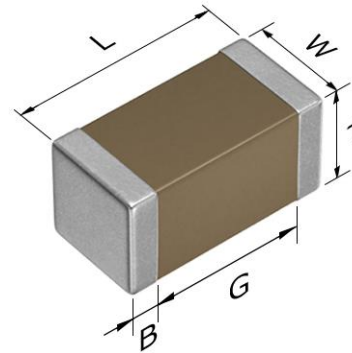


Application & Main Feature

Commercial grade (General type)

Series

C3225 [EIA 1210]



Dimensions

L 3.20±0.40 mm
 W 2.50±0.30 mm
 T 2.50±0.30 mm
 B 0.20 mm min.
 G ---

Temperature Characteristic

X7R (-55 to +125 degC, ±15%)

Rated Voltage

1E (25Vdc)

Capacitance

22µF

Capacitance Tolerance

M (±20%)

DF

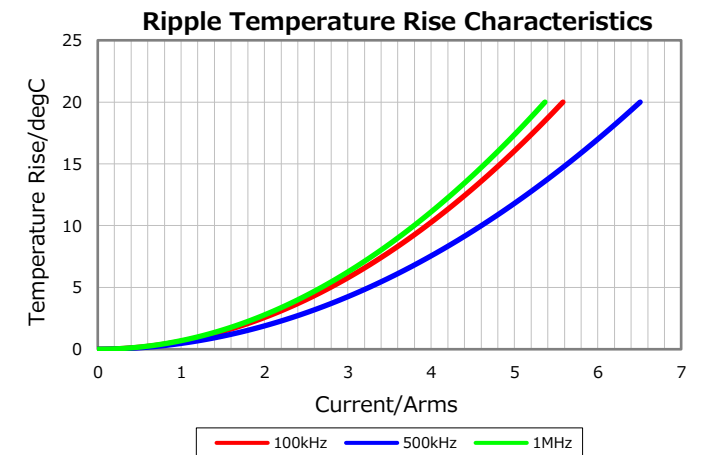
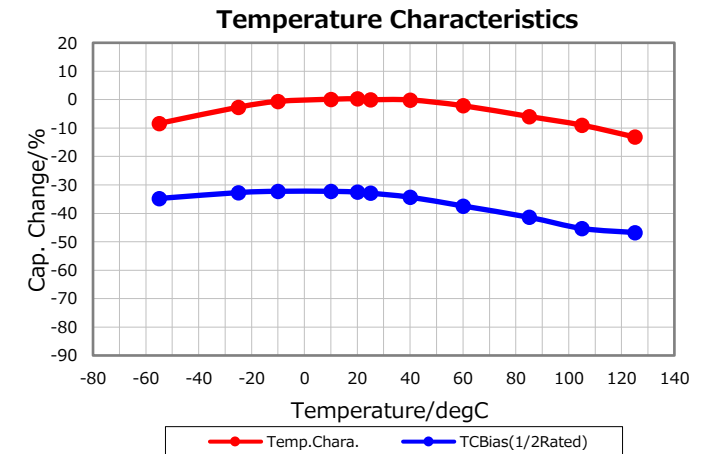
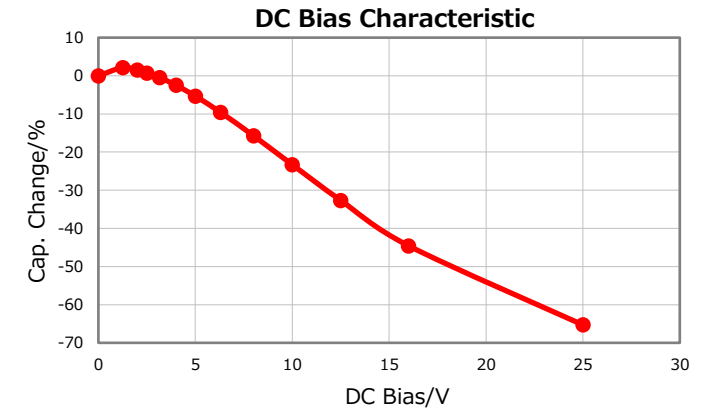
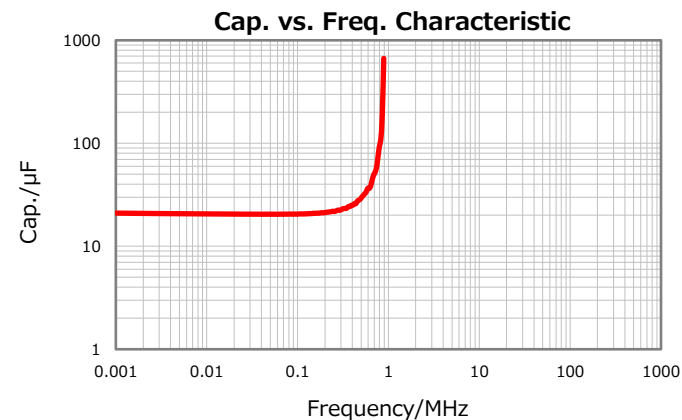
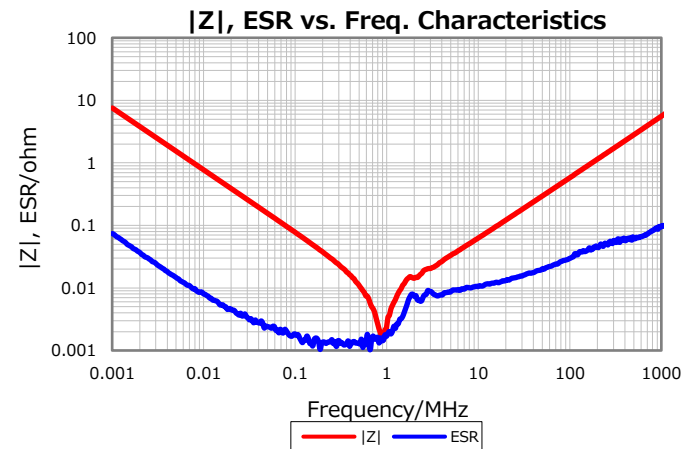
5 % max.

Insulation Resistance

22 Mohm min.

AEC-Q200

Not Applicable



Characterization Sheet (Multilayer Ceramic Chip Capacitors)



All specifications are subject to change without notice.

February 16, 2022