

C3225X7R2A225M230AB

TDK item description : C3225X7R2A225MT****

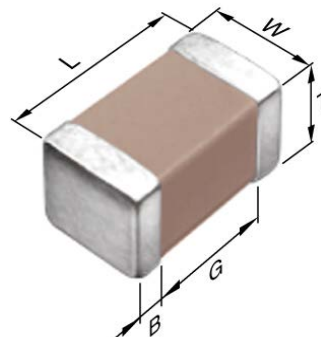


Application & Main Feature

Commercial grade (General type)

Series

C3225 [EIA 1210]



Dimensions

L	3.20±0.40 mm
W	2.50±0.30 mm
T	2.30±0.20 mm
B	0.20 mm min.
G	---

Temperature Characteristic

X7R (-55 to +125 degC, ±15%)

Rated Voltage

2A (100Vdc)

Capacitance

2.2µF

Capacitance Tolerance

M (±20%)

Dissipation Factor

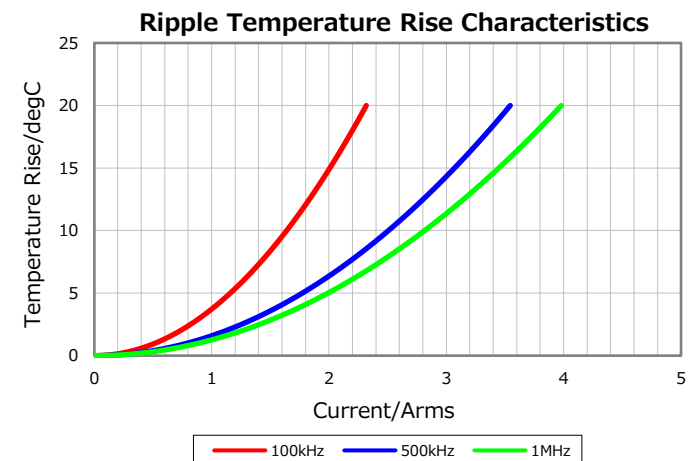
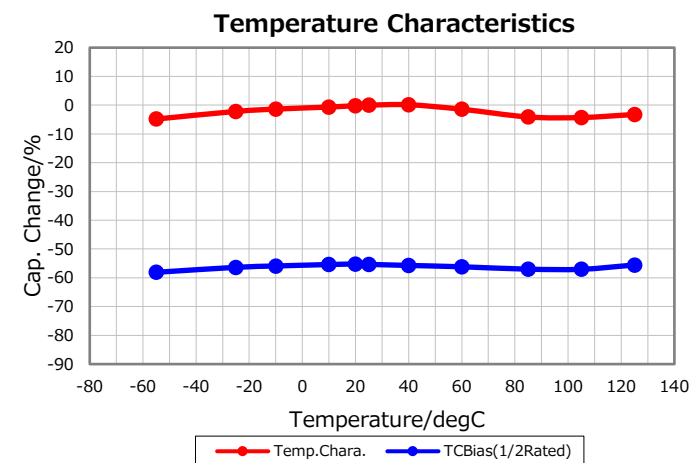
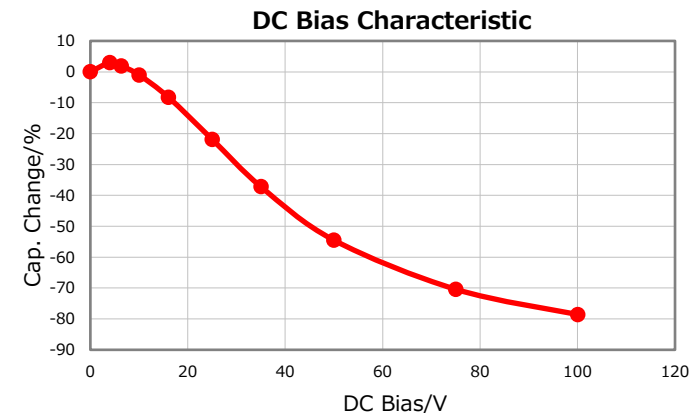
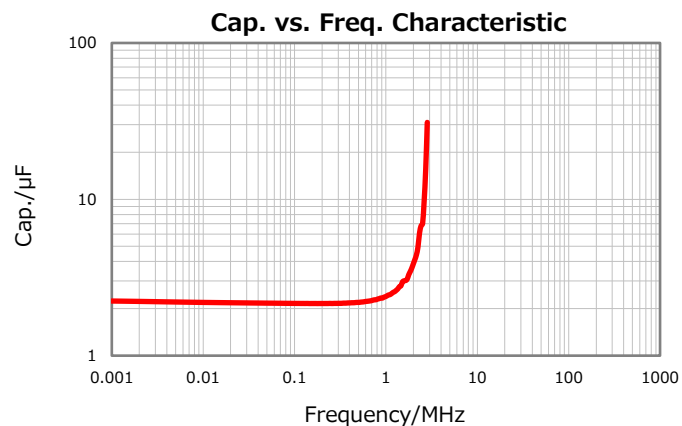
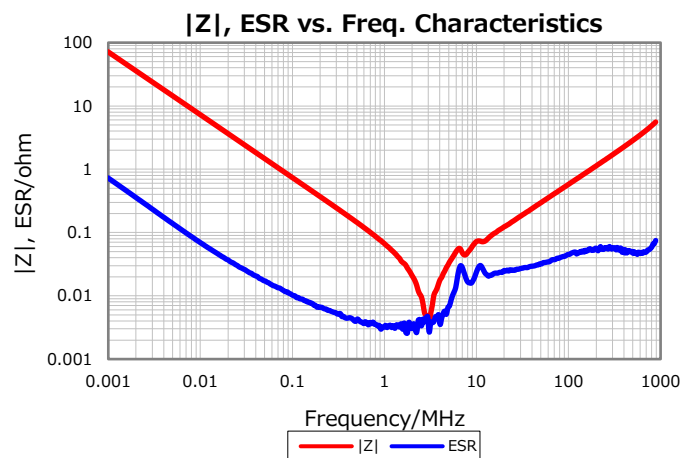
3 % max.

Insulation Resistance

227 Mohm min.

AEC-Q200

Not Applicable



Characterization Sheet (Multilayer Ceramic Chip Capacitors)



All specifications are subject to change without notice.

January 23, 2020