

C3225X7S3A472K160AA

TDK item description : C3225X7S3A472KT****

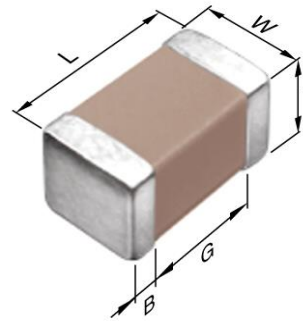


Application & Main Feature

Commercial grade (General type)

Series

C3225 [EIA 1210]



Dimensions

L	3.20±0.40 mm
W	2.50±0.30 mm
T	1.60±0.20 mm
B	0.20 mm min.
G	---

Temperature Characteristic

X7S (-55 to +125 degC, ±22%)

Rated Voltage

3A (1000Vdc)

Capacitance

4.7nF

Capacitance Tolerance

K (±10%)

DF

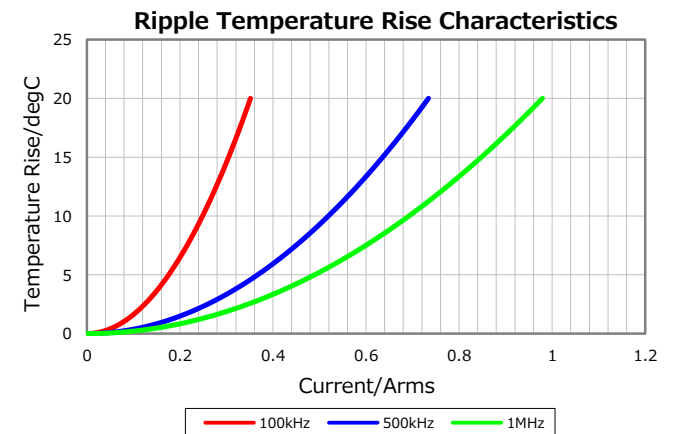
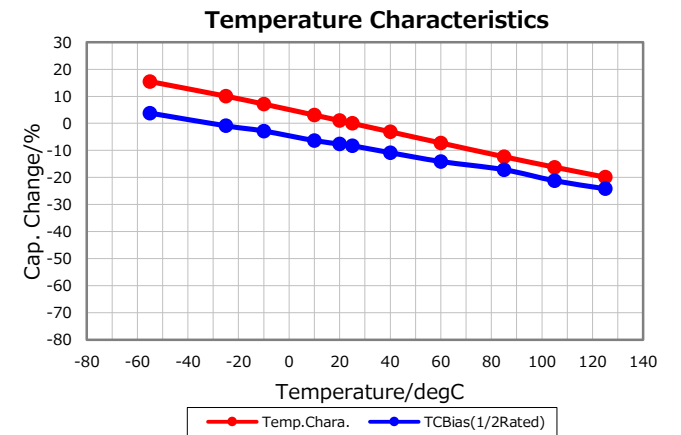
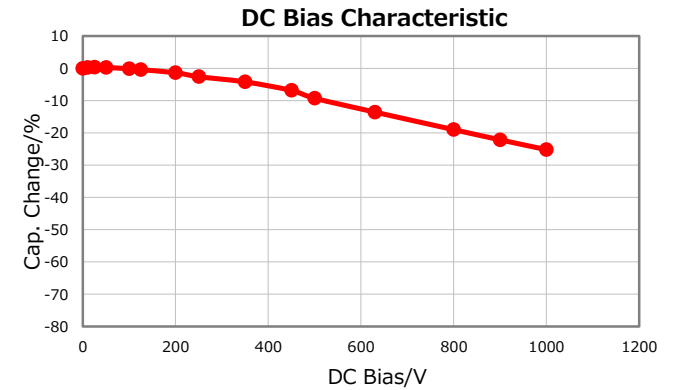
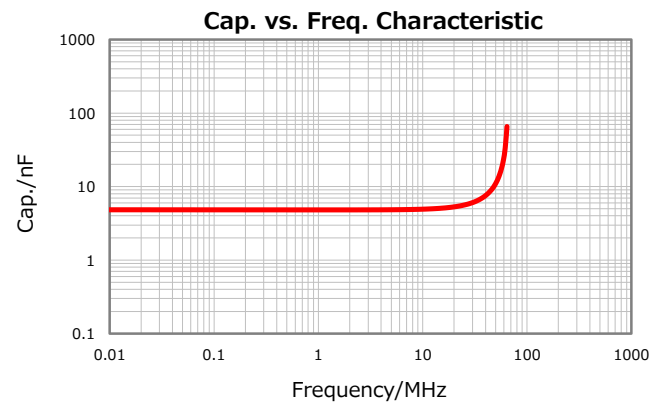
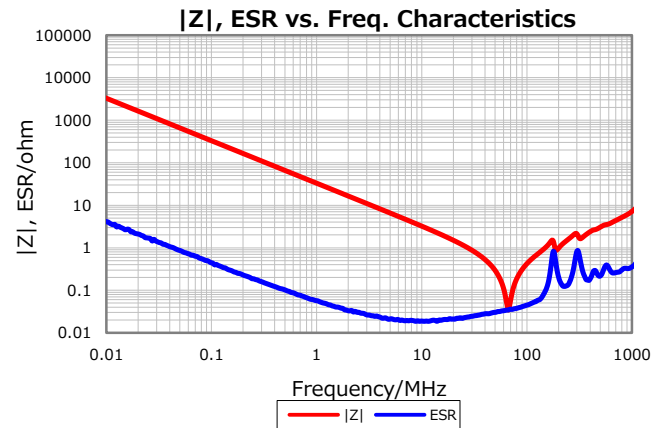
3 % max.

Insulation Resistance

10000 Mohm min.

AEC-Q200

Not Applicable



Characterization Sheet (Multilayer Ceramic Chip Capacitors)



All specifications are subject to change without notice.

May 12, 2020