

# C3225X7T0J107M250AB

TDK item description : C3225X7T0J107MT\*\*\*\*

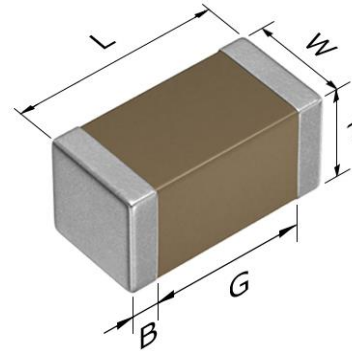


## Application & Main Feature

Commercial grade (General type)

## Series

C3225 [EIA 1210]



## Dimensions

L 3.20±0.40 mm  
 W 2.50+0.40,-0.30 mm  
 T 2.50+0.40,-0.30 mm  
 B 0.20 mm min.  
 G ---

## Temperature Characteristic

X7T (-55 to +125 degC, +22/-33%)

## Rated Voltage

0J (6.3Vdc)

## Capacitance

100µF

## Capacitance Tolerance

M (±20%)

## DF

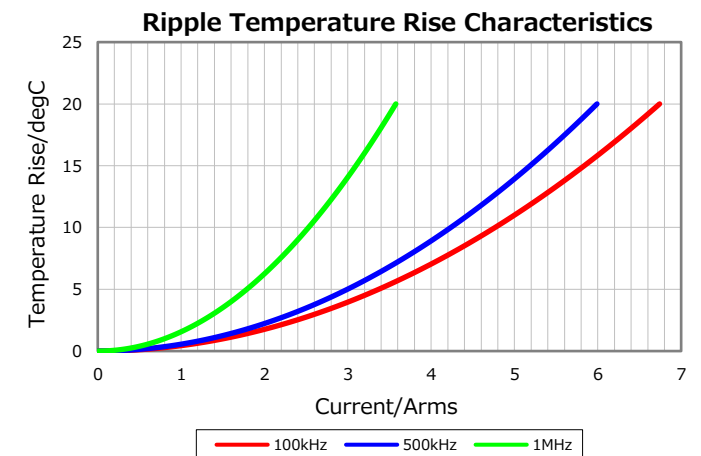
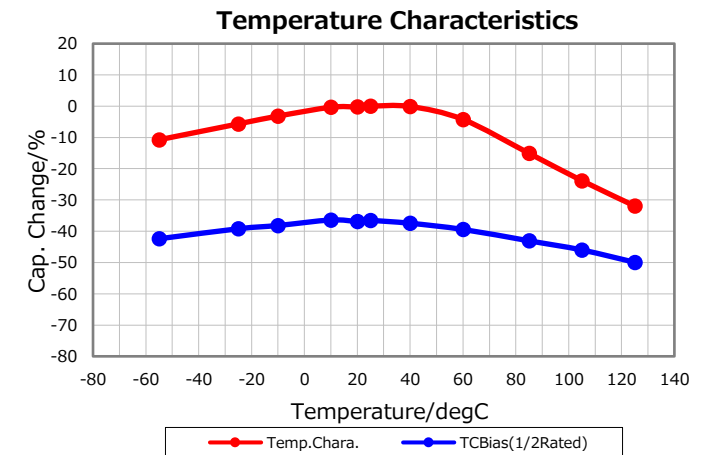
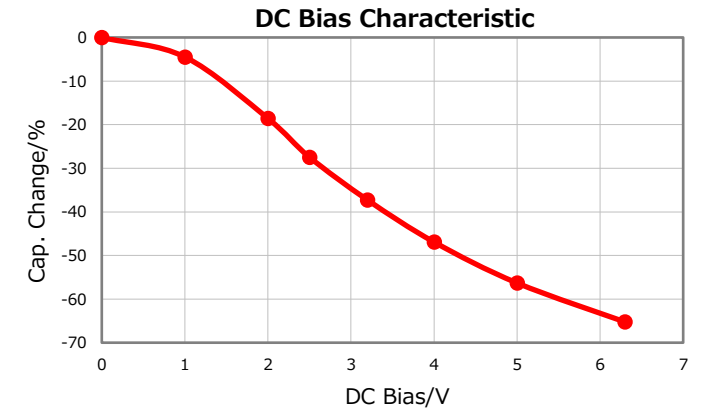
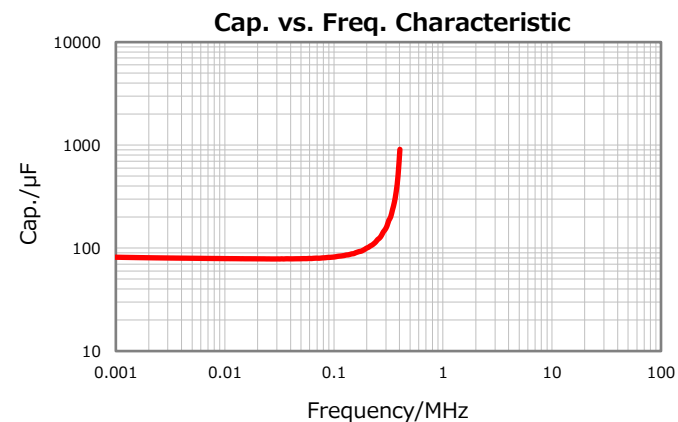
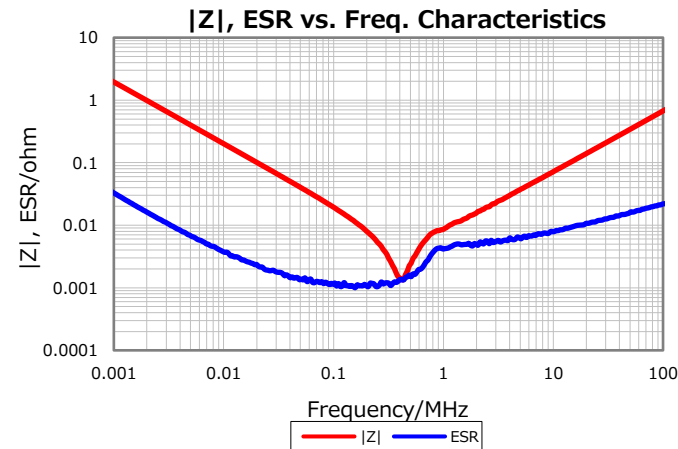
10 % max.

## Insulation Resistance

1 Mohm min.

## AEC-Q200

Not Applicable



Characterization Sheet ( Multilayer Ceramic Chip Capacitors )



All specifications are subject to change without notice.

February 24, 2021