

C3225X8L1H106K250AC

TDK item description : C3225X8L1H106KT****

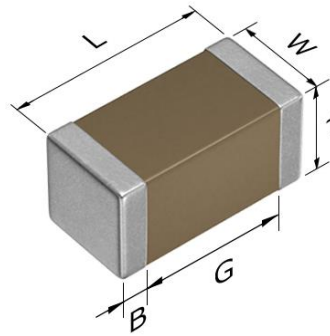


Application & Main Feature

Commercial grade (General type)

Series

C3225 [EIA 1210]



Dimensions

L	3.20±0.40 mm
W	2.50±0.30 mm
T	2.50±0.30 mm
B	0.20 mm min.
G	---

Temperature Characteristic

X8L (-55 to +150 degC, +15/-40%)

Rated Voltage

1H (50Vdc)

Capacitance

10µF

Capacitance Tolerance

K (±10%)

DF

5 % max.

Insulation Resistance

50 Mohm min.

AEC-Q200

Not Applicable

