

# C4532C0G2J333J200KA

TDK Item Description : C4532C0G2J333J\*\*\*\*

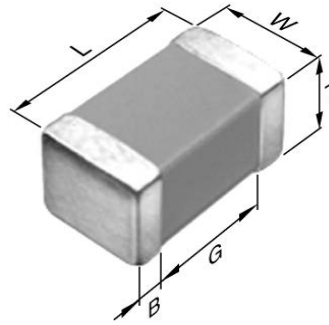


## Application & Main Feature

Commercial Grade ( Mid Voltage (100 to 630V) )

## Series

C4532 [EIA 1812]



## Dimensions

L	4.50mm ±0.40mm
W	3.20mm ±0.40mm
T	2.00mm ±0.20mm
B	0.20mm Min.
G	

## Temperature Characteristic

C0G (-55 to 125 degC 0+/-30ppm/degC)

## Rated Voltage

2J(630Vdc)

## Capacitance

33nF

## Capacitance Tolerance

J (±5%)

## Q Factor

1000 Min.

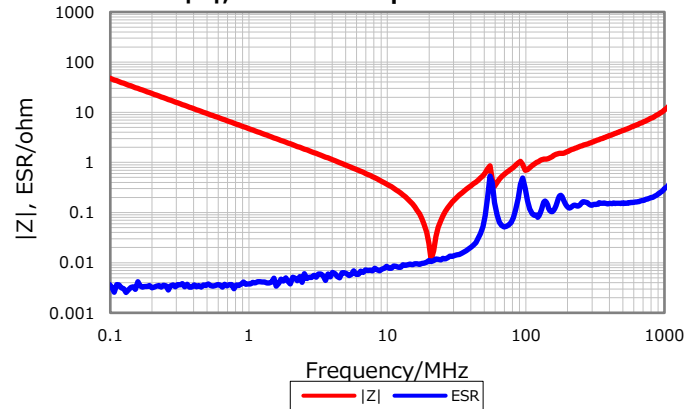
## Insulation Resistance

10Gohm Min

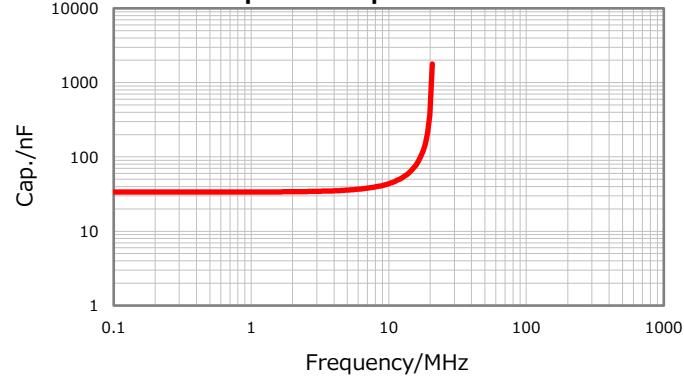
## AEC-Q200

Not Applicable

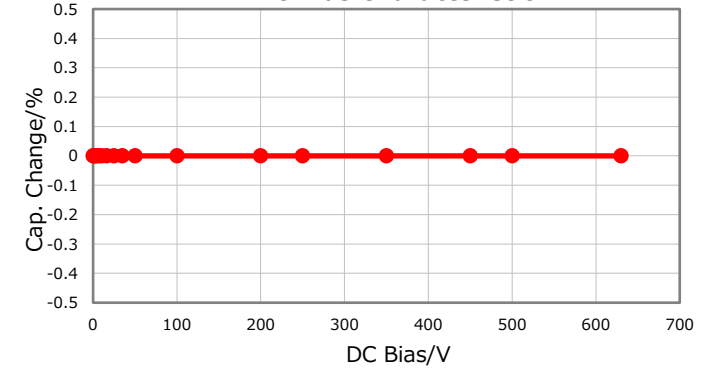
## |Z|, ESR vs. Freq. Characteristics



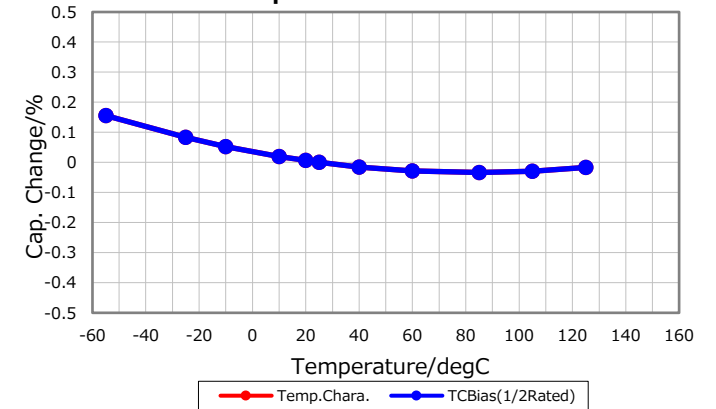
## Cap. vs. Freq. Characteristic



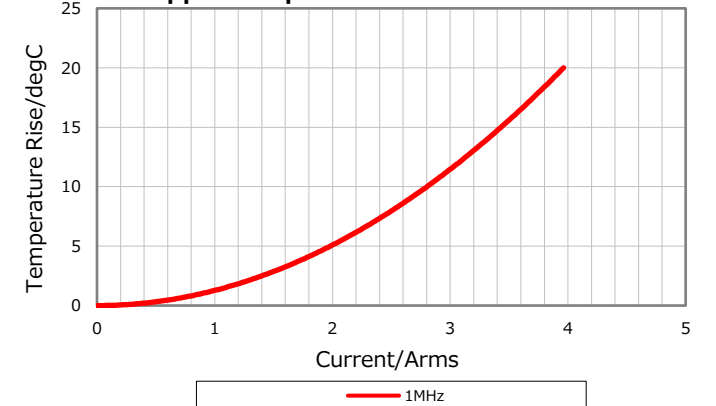
## DC Bias Characteristic



## Temperature Characteristics



## Ripple Temperature Rise Characteristics



Characterization Sheet ( Multilayer Ceramic Chip Capacitors )



All specifications are subject to change without notice.

May 22, 2019