

# C4532C0G2J473J320KA

TDK Item Description : C4532C0G2J473JT\*\*\*\*

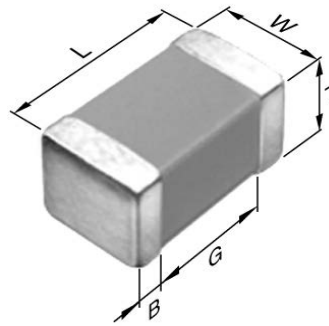


## Application & Main Feature

Commercial Grade ( Mid Voltage (100 to 630V) )

## Series

C4532 [EIA 1812]



## Dimensions

|   |                |
|---|----------------|
| L | 4.50mm ±0.40mm |
| W | 3.20mm ±0.40mm |
| T | 3.20mm ±0.30mm |
| B | 0.20mm Min.    |
| G |                |

## Temperature Characteristic

C0G (-55 to 125 degC 0+/-30ppm/degC)

## Rated Voltage

2J(630Vdc)

## Capacitance

47nF

## Capacitance Tolerance

J (±5%)

## Q Factor

1000 Min.

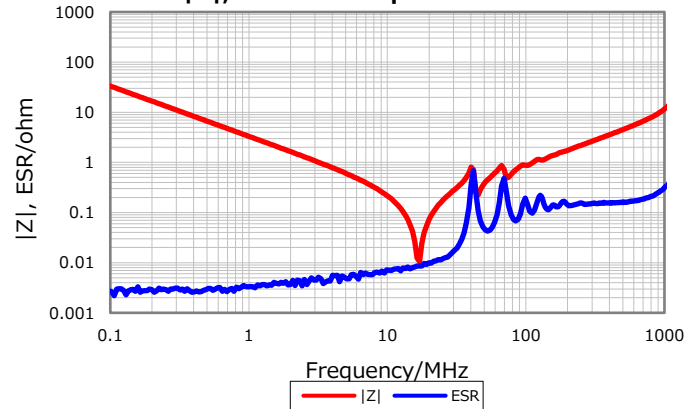
## Insulation Resistance

10Gohm Min

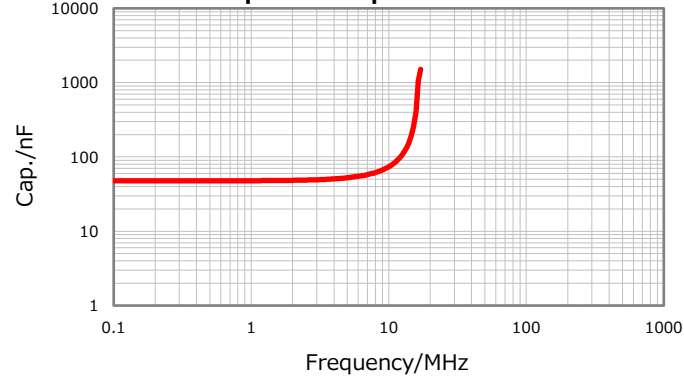
## AEC-Q200

Not Applicable

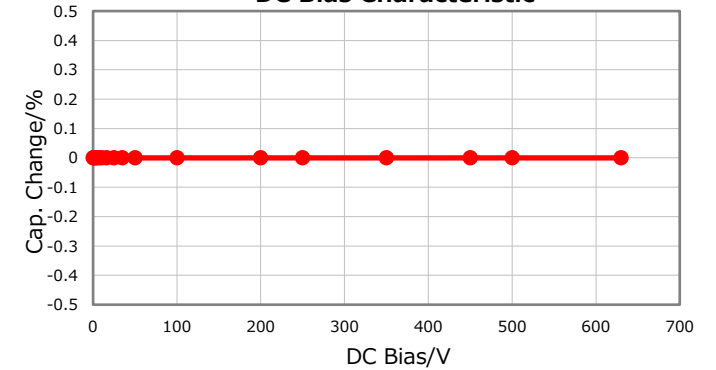
## |Z|, ESR vs. Freq. Characteristics



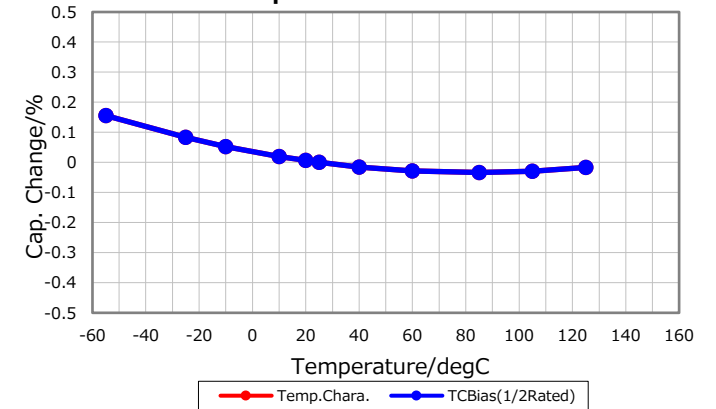
## Cap. vs. Freq. Characteristic



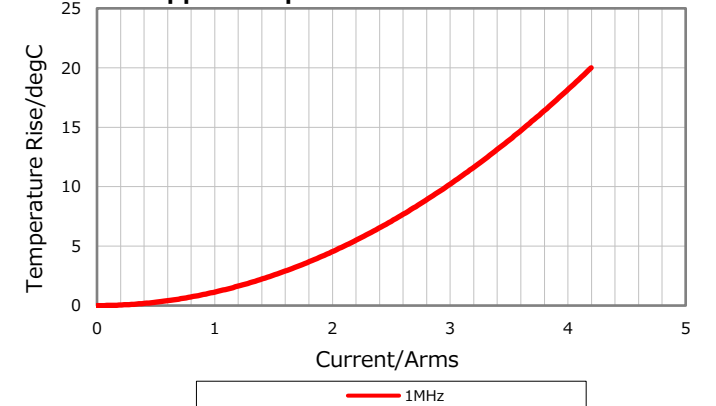
## DC Bias Characteristic



## Temperature Characteristics



## Ripple Temperature Rise Characteristics



Characterization Sheet ( Multilayer Ceramic Chip Capacitors )



All specifications are subject to change without notice.

May 22, 2019