

# C4532NP02W683J320KA

TDK Item Description : C4532NP02W683JT\*\*\*\*

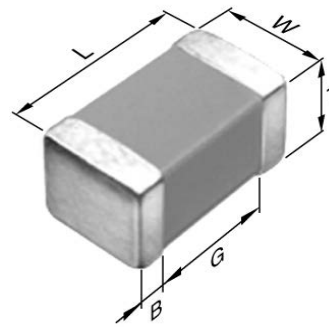


## Application & Main Feature

Commercial Grade ( High Temperature Application )

## Series

C4532 [EIA 1812]



## Dimensions

L	4.50mm ±0.40mm
W	3.20mm ±0.40mm
T	3.20mm ±0.30mm
B	0.20mm Min.
G	

## Temperature Characteristic

NP0 (-55 to 150 degC 0+/-30ppm/degC)

## Rated Voltage

2W(450Vdc)

## Capacitance

68nF

## Capacitance Tolerance

J (±5%)

## Q Factor

1000 Min.

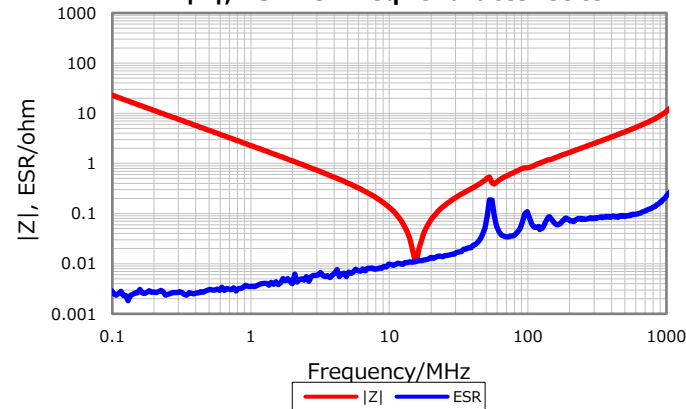
## Insulation Resistance

7.352Gohm Min

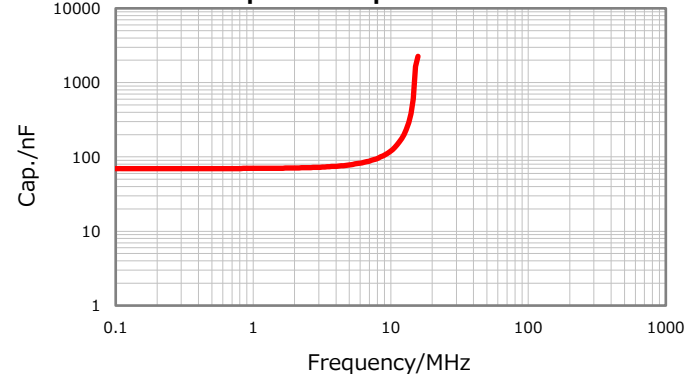
## AEC-Q200

Not Applicable

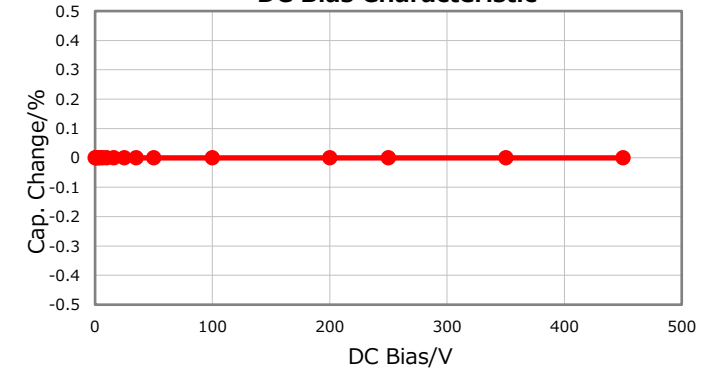
## |Z|, ESR vs. Freq. Characteristics



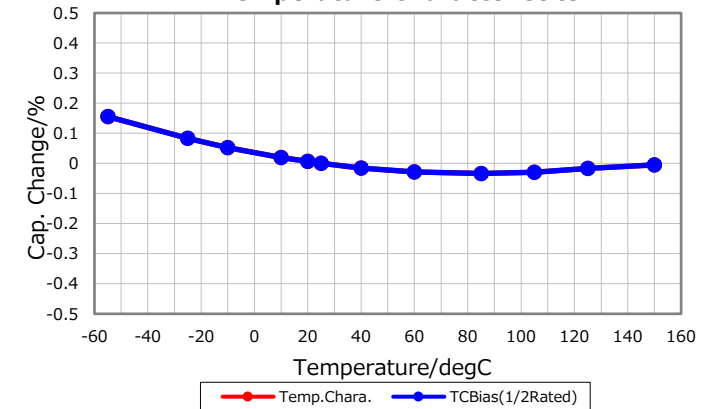
## Cap. vs. Freq. Characteristic



## DC Bias Characteristic



## Temperature Characteristics



## Ripple Temperature Rise Characteristics

