

C5750C0G3A153J280KC

TDK Item Description : C5750C0G3A153JT****

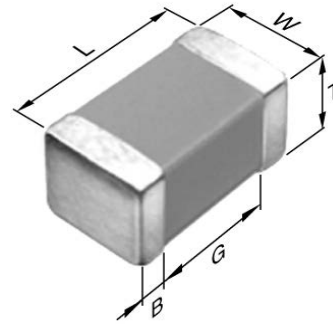


Application & Main Feature

Commercial Grade (High Voltage (1000V and over))

Series

C5750 [EIA 2220]



Dimensions

L	5.70mm +/-0.4mm
W	5.00mm +/-0.4mm
T	2.80mm +/-0.3mm
B	0.20mm Min.
G	

Temperature Characteristic

C0G (-55 to 125 degC 0+/-30ppm/degC)

Rated Voltage

3A (1000Vdc)

Capacitance

15nF

Capacitance Tolerance

J (+/-5%)

Q Factor

1000 Min.

Insulation Resistance

10Gohm Min

AEC-Q200

Not Applicable

