

C5750NP02W104J280KA

TDK Item Description : C5750NP02W104JT****

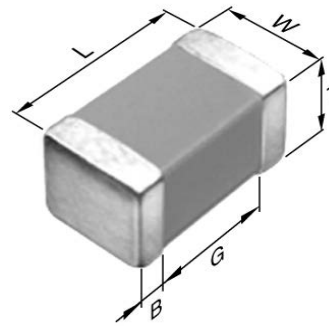


Application & Main Feature

Commercial Grade (High Temperature Application)

Series

C5750 [EIA 2220]



Dimensions

L	5.70mm ±0.40mm
W	5.00mm ±0.40mm
T	2.80mm ±0.30mm
B	0.20mm Min.
G	

Temperature Characteristic

NP0 (-55 to 150 degC 0+/-30ppm/degC)

Rated Voltage

2W(450Vdc)

Capacitance

100nF

Capacitance Tolerance

J (±5%)

Q Factor

1000 Min.

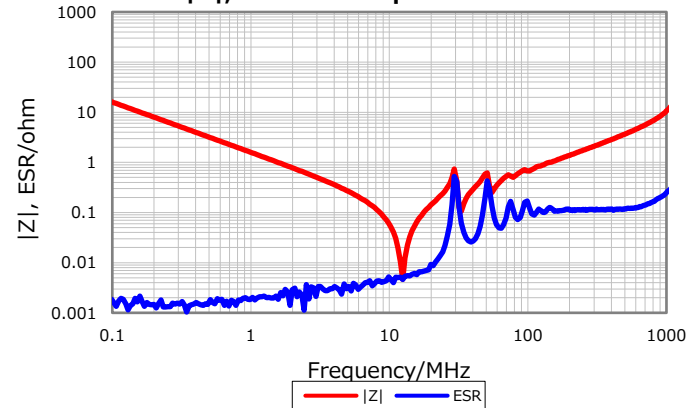
Insulation Resistance

5Gohm Min

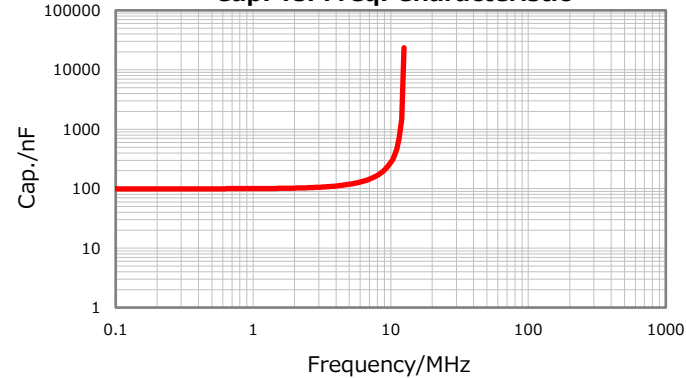
AEC-Q200

Not Applicable

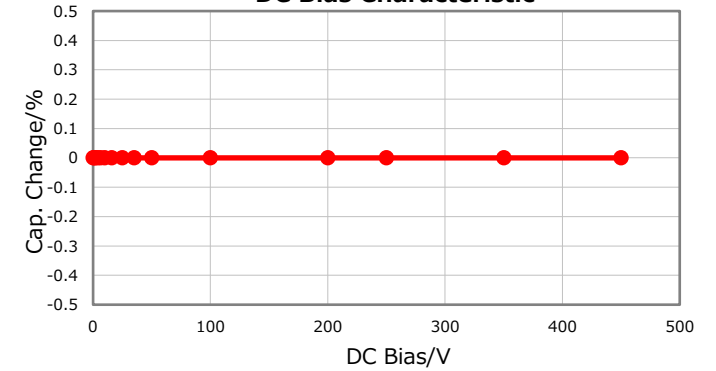
|Z|, ESR vs. Freq. Characteristics



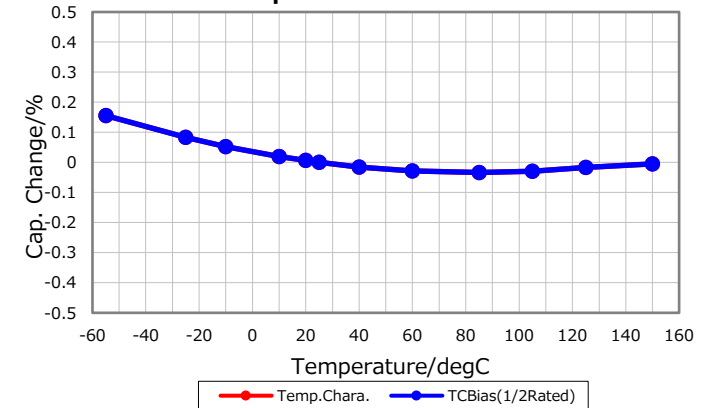
Cap. vs. Freq. Characteristic



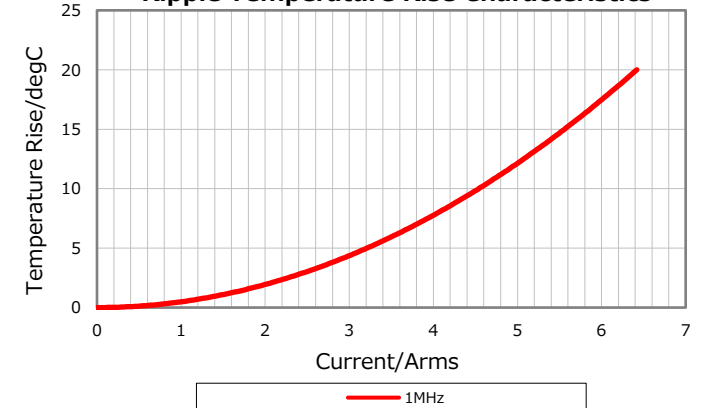
DC Bias Characteristic



Temperature Characteristics



Ripple Temperature Rise Characteristics



Characterization Sheet (Multilayer Ceramic Chip Capacitors)



All specifications are subject to change without notice.

May 22, 2019