

# C5750X7R1H226M250KB

TDK Item Description : C5750X7R1H226MT\*\*\*

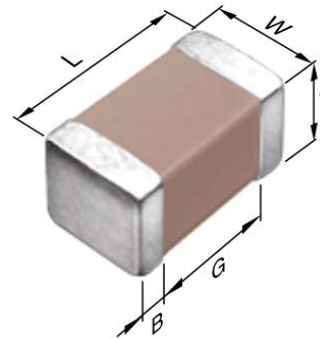


## Application & Main Feature

Commercial Grade ( General (Up to 75V) )

## Series

C5750 [EIA CC2220]



## Dimensions

L 5.70mm +/-0.4mm  
 W 5.00mm +/-0.4mm  
 T 2.50mm +/-0.3mm  
 B 0.20mm Min.  
 G ---

## Temperature Characteristic

X7R (-55 to +125 degC +/-15%)

## Rated Voltage

1H (50Vdc)

## Capacitance

22uF

## Capacitance Tolerance

M (+/-20%)

## Dissipation Factor

5% Max.

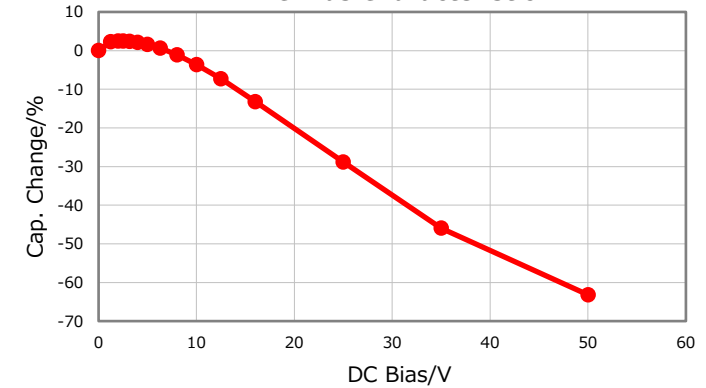
## Insulation Resistance

22Mohm Min.

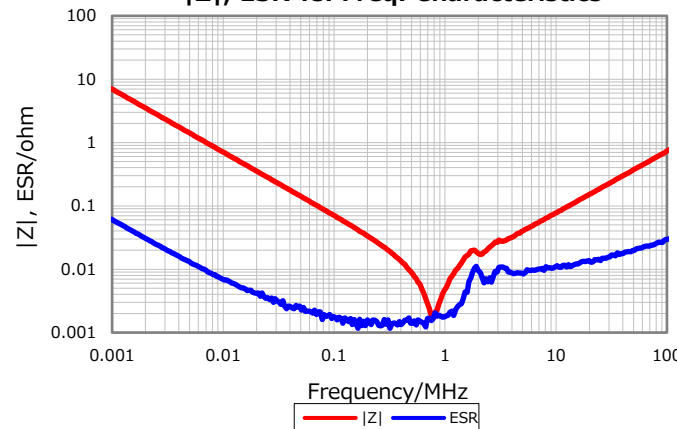
## AEC-Q200

Not Applicable

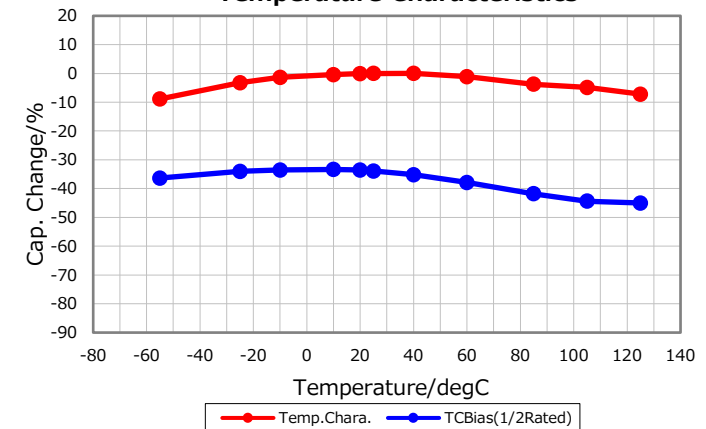
## DC Bias Characteristic



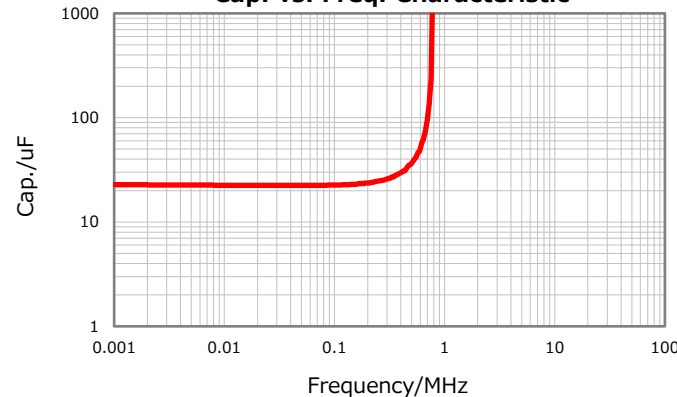
## |Z|, ESR vs. Freq. Characteristics



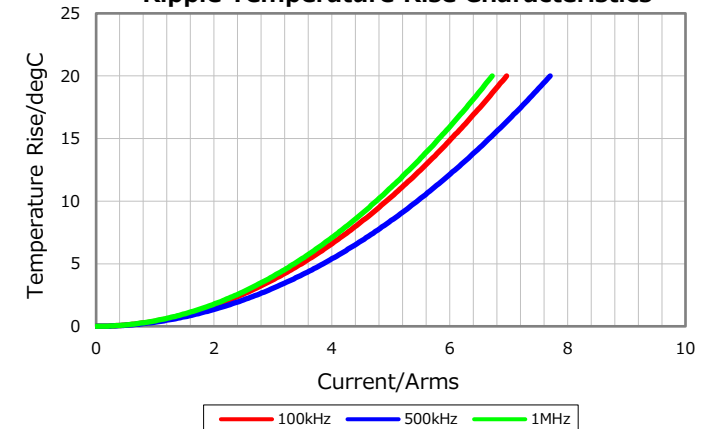
## Temperature Characteristics



## Cap. vs. Freq. Characteristic



## Ripple Temperature Rise Characteristics



Characterization Sheet ( Multilayer Ceramic Chip Capacitors )



All specifications are subject to change without notice.

March 19, 2019