

CAA573C0G3A993J640LH

TDK item description : CAA573C0G3A993JT****

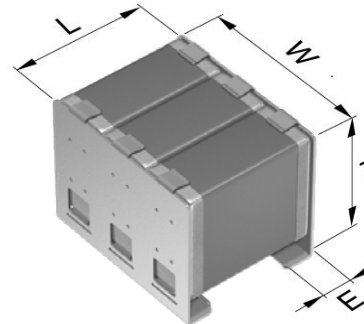


Application & Main Feature

Commercial grade (MEGACAP (Low resistance/Inline))

Series

CAA573(5750) [EIA 2220]



Dimensions

L 6.00±0.50 mm
 W 8.40±0.50 mm
 T 6.40±0.50 mm
 E 1.20±0.20 mm

Temperature Characteristic

C0G (-55 to +125 degC, 0±30ppm/°C)

Rated Voltage

3A (1000Vdc)

Capacitance

99nF

Capacitance Tolerance

J (±5%)

Q

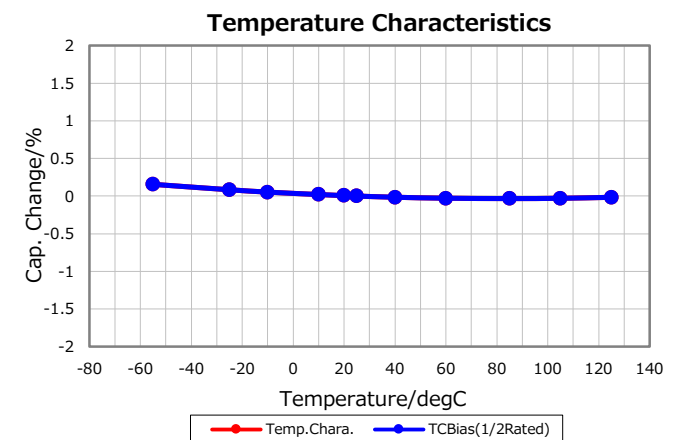
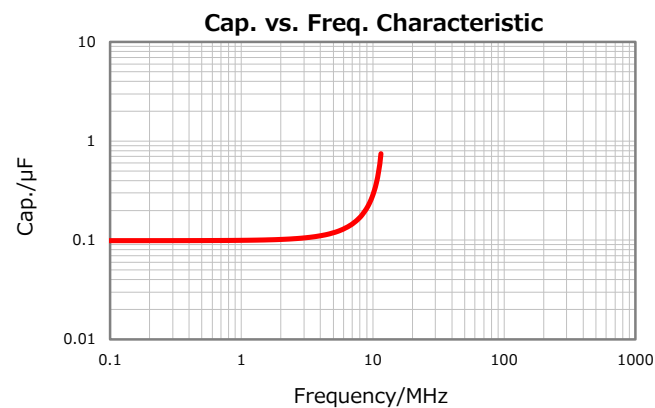
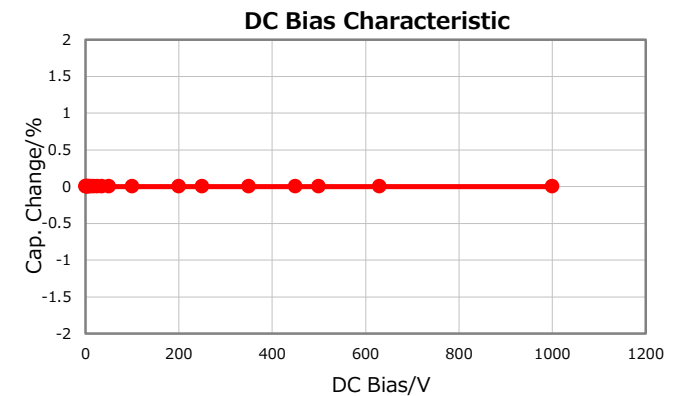
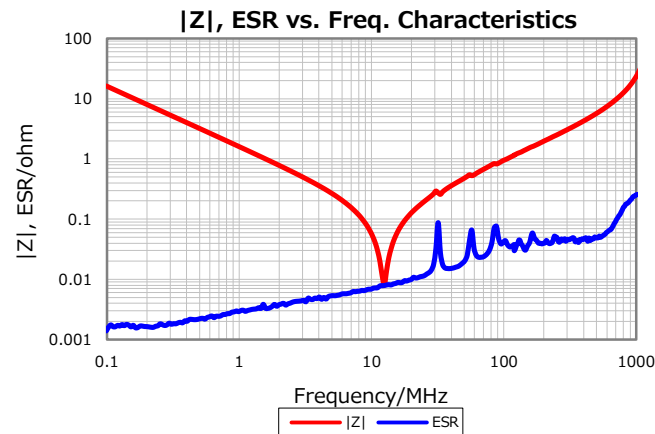
1000 min.

Insulation Resistance

5050 Mohm min.

AEC-Q200

Not Applicable



Characterization Sheet (Multilayer Ceramic Chip Capacitors)



All specifications are subject to change without notice.

August 20, 2022