

CAA573X7S2A476M640LH

TDK item description : CAA573X7S2A476MT****

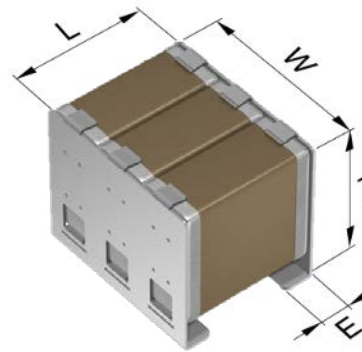


Application & Main Feature

Commercial grade (MEGACAP (Low resistance/Inline))

Series

CAA573(5750) [EIA 2220]



Dimensions

L 6.00±0.50 mm
 W 7.50±0.50 mm
 T 6.40±0.50 mm
 E 1.20±0.20 mm

Temperature Characteristic

X7S (-55 to +125 degC, ±22%)

Rated Voltage

2A (100Vdc)

Capacitance

47µF

Capacitance Tolerance

M (±20%)

DF

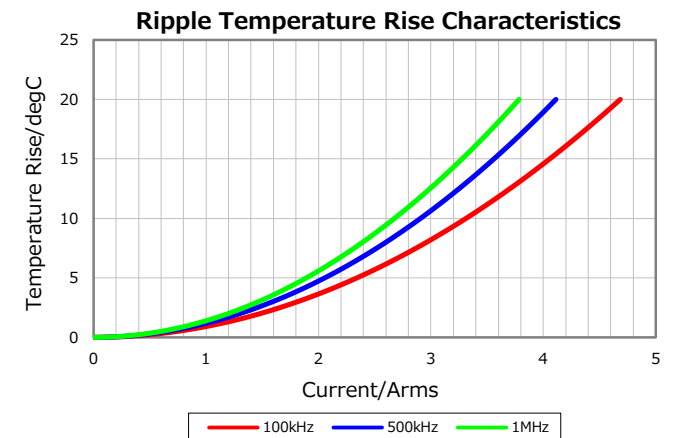
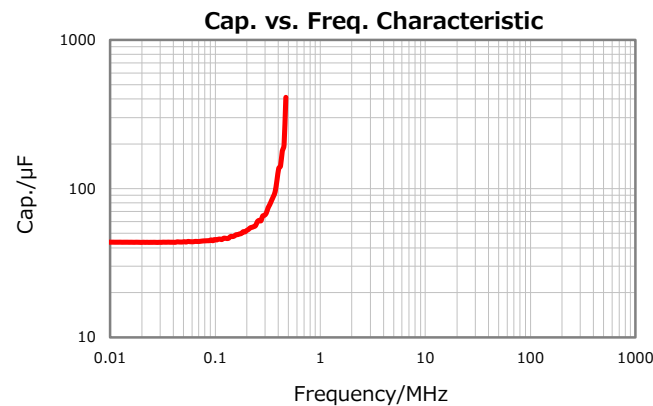
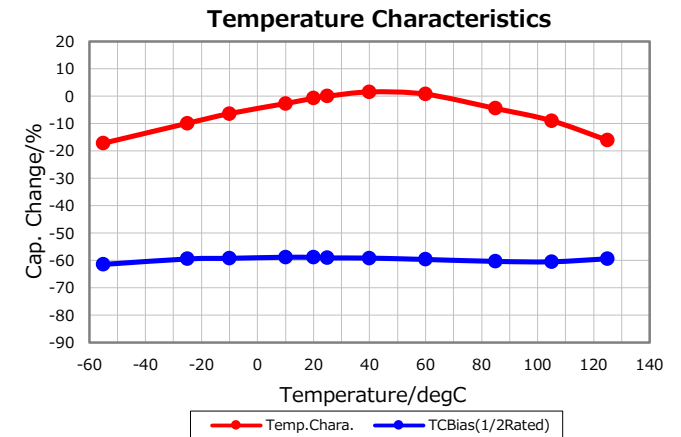
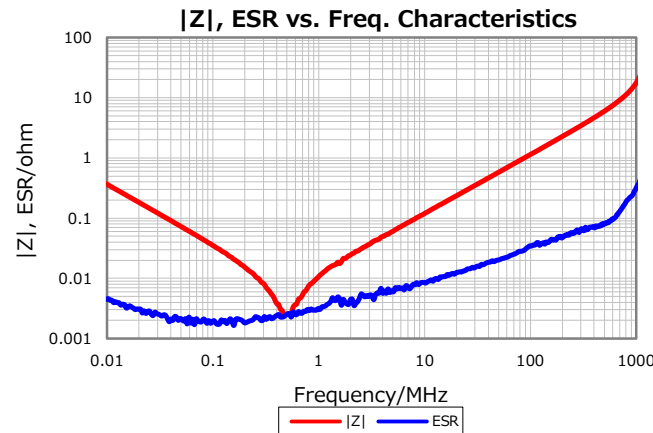
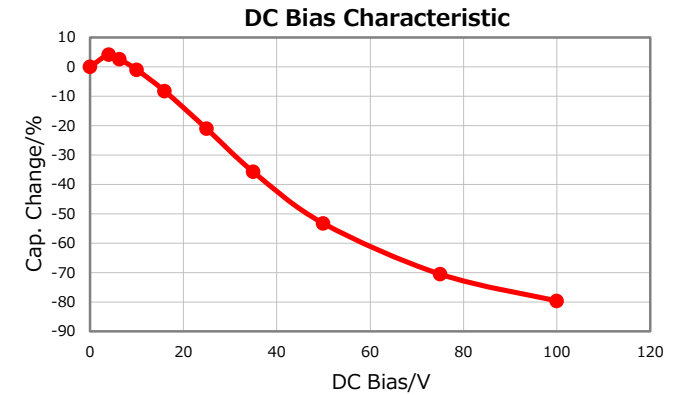
5 % max.

Insulation Resistance

10 Mohm min.

AEC-Q200

Not Applicable



Characterization Sheet (Multilayer Ceramic Chip Capacitors)



All specifications are subject to change without notice.

August 20, 2022