

# CGA1A1X7T0G104M030BC

TDK Item Description : CGA1A1X7T0G104MT\*\*\*\*



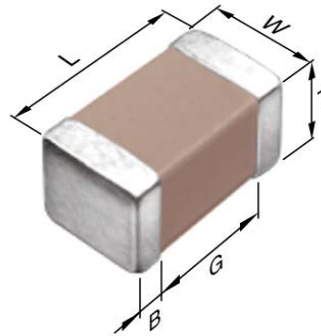
Equivalent C0603X7T0G104M for Automotive

## Application & Main Feature

Automotive Grade ( General (Up to 75V) )

## Series

CGA1(0603) [EIA 0201]



## Dimensions

L	0.60mm +0.10/-0.03mm
W	0.30mm +0.10/-0.03mm
T	0.30mm +0.10/-0.03mm
B	0.10mm Min.
G	0.20mm Min.

## Temperature Characteristic

X7T (-55 to +125 degC +22/-33%)

## Rated Voltage

0G (4Vdc)

## Capacitance

100nF

## Capacitance Tolerance

M (+/-20%)

## Dissipation Factor

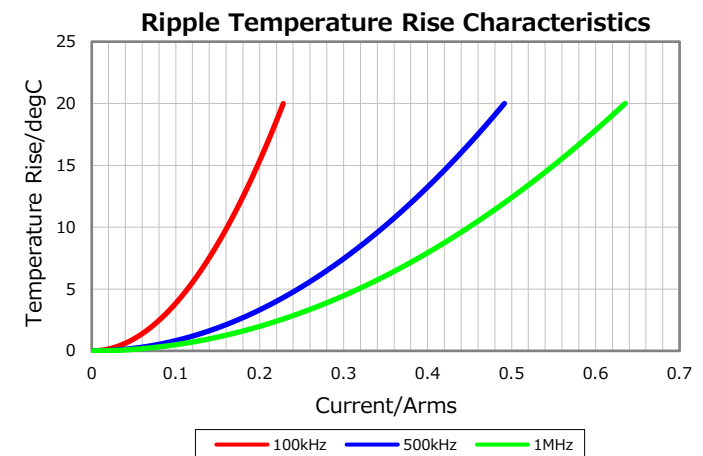
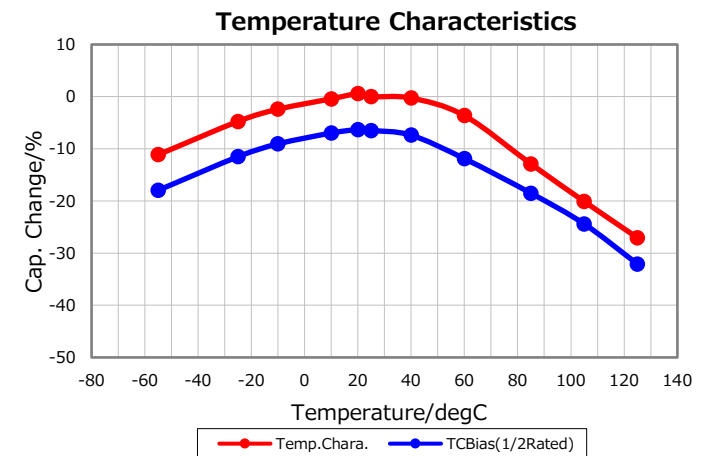
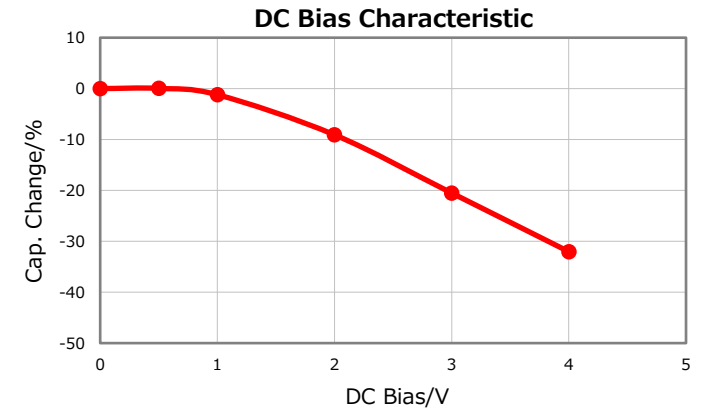
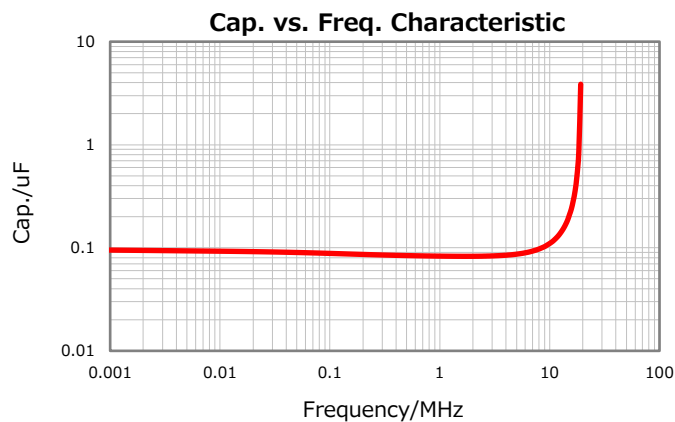
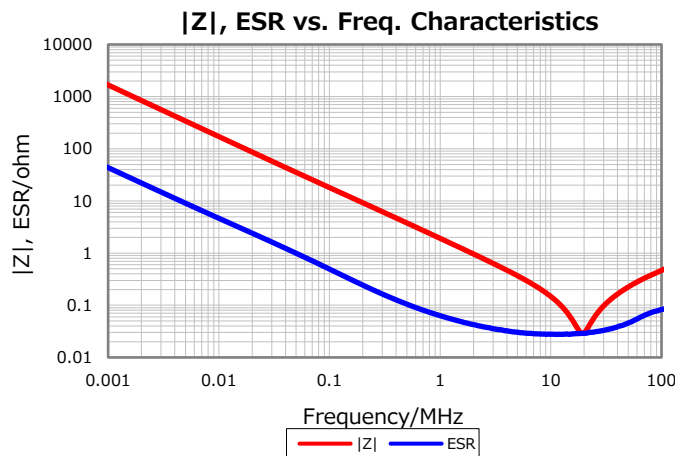
10% Max.

## Insulation Resistance

1,000Mohm Min.

## AEC-Q200

Yes



Characterization Sheet ( Multilayer Ceramic Chip Capacitors )



All specifications are subject to change without notice.

June 5, 2019