

# CGA2B1X7S1C474K050BE

TDK item description : CGA2B1X7S1C474KT\*\*\*S



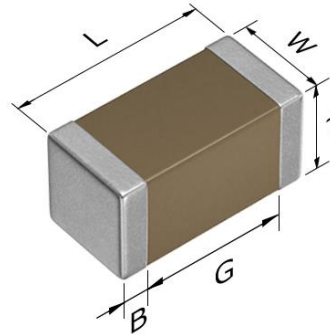
Equivalent C1005X7S1C474K for Automotive

## Application & Main Feature

Automotive grade (Soft termination)

## Series

CGA2(1005) [EIA 0402]



## Dimensions

L 1.00+0.15,-0.05 mm  
 W 0.50+0.10,-0.05 mm  
 T 0.50+0.10,-0.05 mm  
 B 0.10 mm min.  
 G 0.30 mm min.

## Temperature Characteristic

X7S (-55 to +125 degC, ±22%)

## Rated Voltage

1C (16Vdc)

## Capacitance

470nF

## Capacitance Tolerance

K (±10%)

## DF

7.5 % max.

## Insulation Resistance

212 Mohm min.

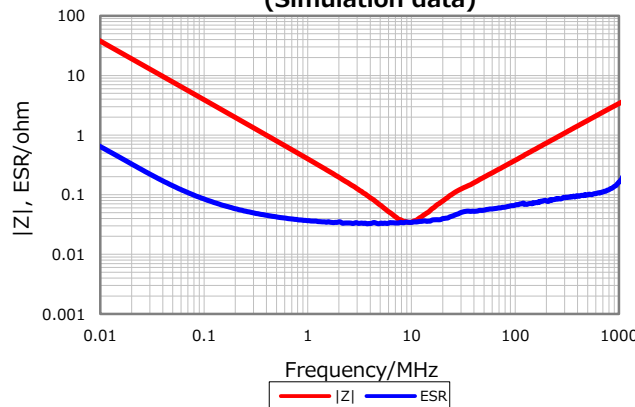
## AEC-Q200

Yes

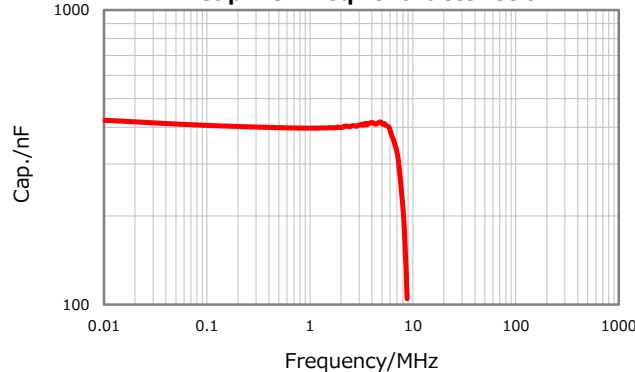
Characterization Sheet ( Multilayer Ceramic Chip Capacitors)

## |Z|, ESR vs. Freq. Characteristics

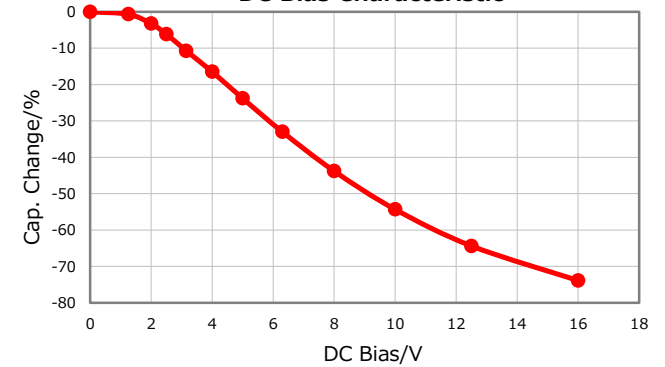
(Simulation data)



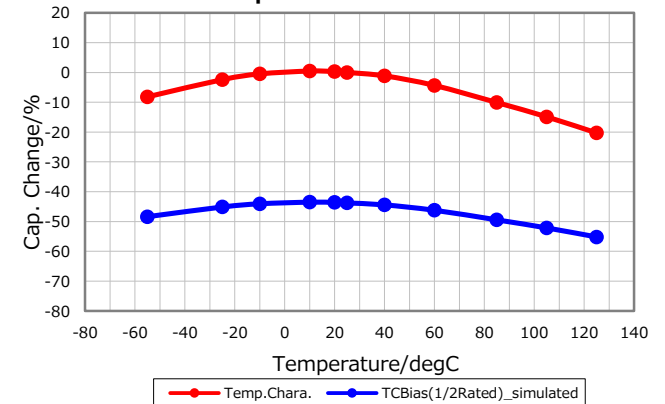
## Cap. vs. Freq. Characteristic



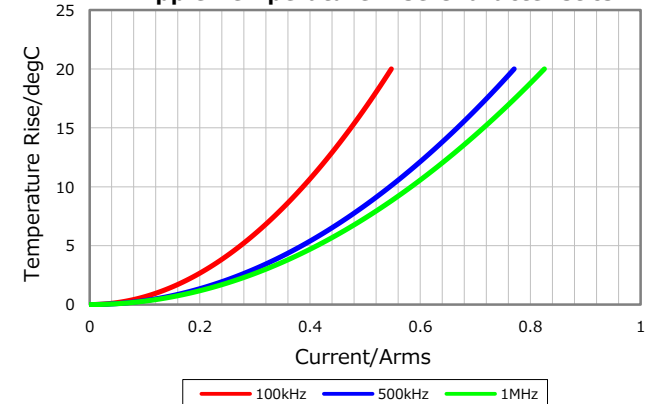
## DC Bias Characteristic



## Temperature Characteristics



## Ripple Temperature Rise Characteristics



⚠ All specifications are subject to change without notice.

January 5, 2021