

CGA2B1X8R1E473M050BD

TDK Item Description : CGA2B1X8R1E473MT***B



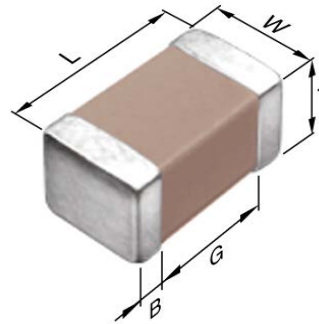
Equivalent C1005X8R1E473M for Automotive

Application & Main Feature

Automotive Grade (Conductive Epoxy Application)

Series

CGA2(1005) [EIA 0402]



Dimensions

L	1.00mm ±0.15mm
W	0.50mm ±0.10mm
T	0.50mm ±0.10mm
B	0.10mm Min.
G	0.30mm Min.

Temperature Characteristic

X8R (-55 to 150 degC +/-15%)

Rated Voltage

1E(25Vdc)

Capacitance

47nF

Capacitance Tolerance

M (±20%)

Dissipation Factor

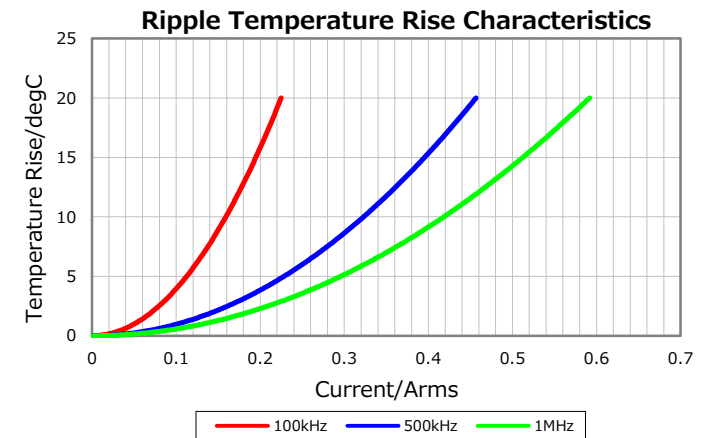
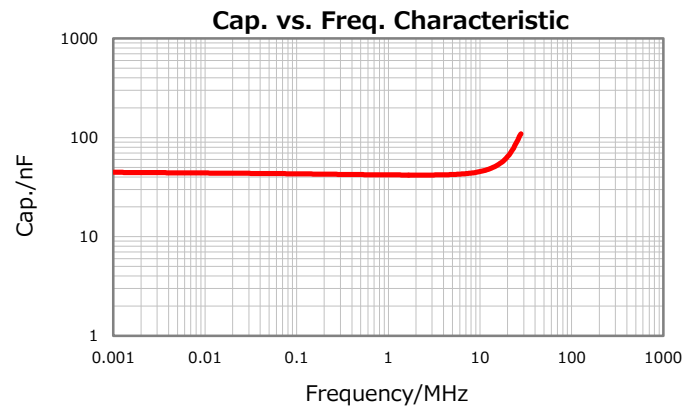
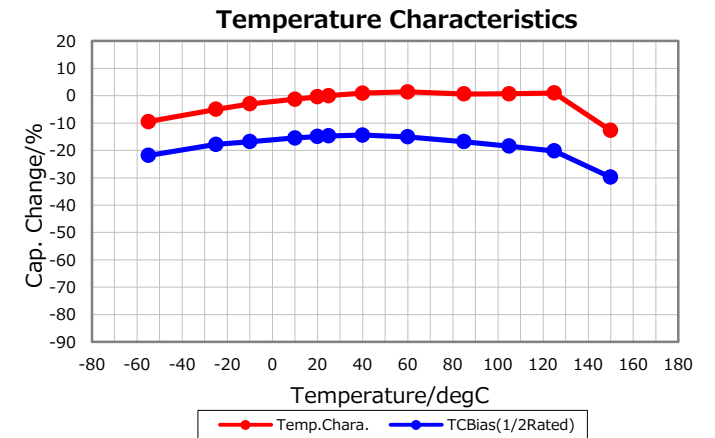
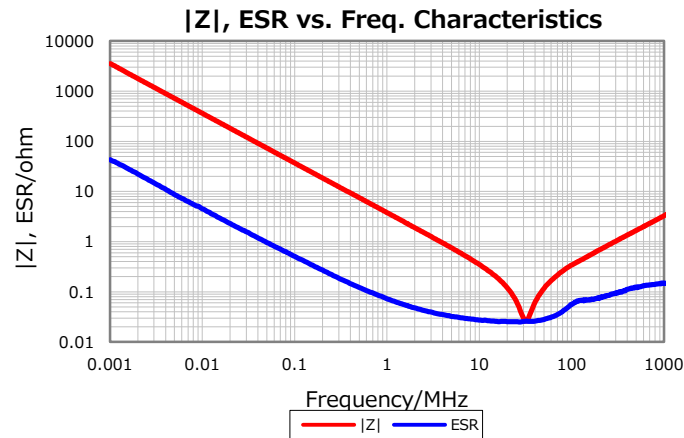
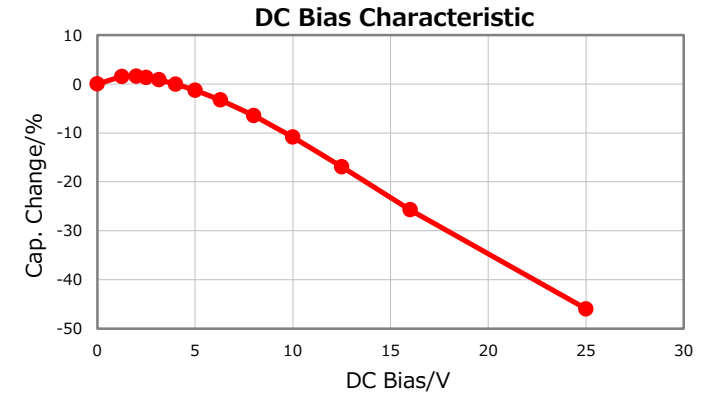
5% Max.

Insulation Resistance

10Gohm Min

AEC-Q200

Yes



Characterization Sheet (Multilayer Ceramic Chip Capacitors)



All specifications are subject to change without notice.

October 24, 2018