

CGA2B1X8R1E473M050BE

TDK Item Description : CGA2B1X8R1E473MT***S



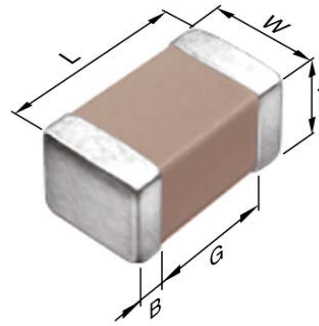
Equivalent C1005X8R1E473M for Automotive

Application & Main Feature

Automotive Grade (Soft Termination)

Series

CGA2(1005) [EIA 0402]



Dimensions

L	1.00mm +0.15,-0.05mm
W	0.50mm +0.1,-0.05mm
T	0.50mm +0.1,-0.05mm
B	0.10mm Min.
G	0.30mm Min.

Temperature Characteristic

X8R (-55 to 150 degC ±15%)

Rated Voltage

1E (25Vdc)

Capacitance

47nF

Capacitance Tolerance

M (+/-20%)

Dissipation Factor

5% Max.

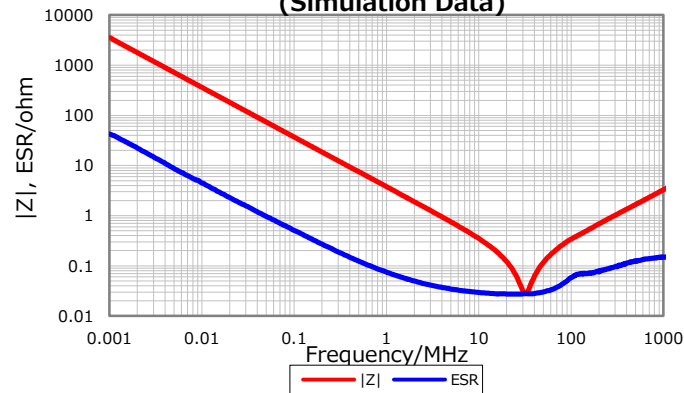
Insulation Resistance

10Gohm Min

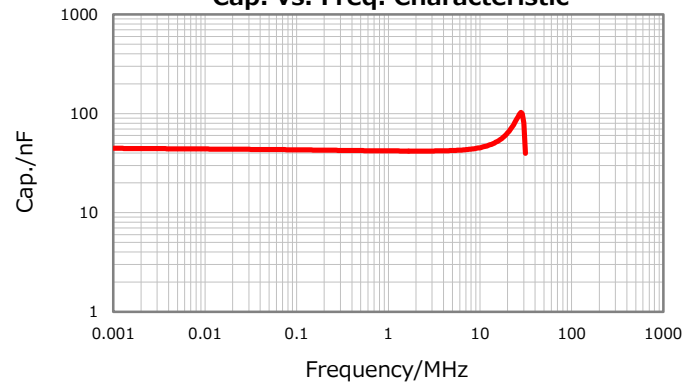
AEC-Q200

Yes

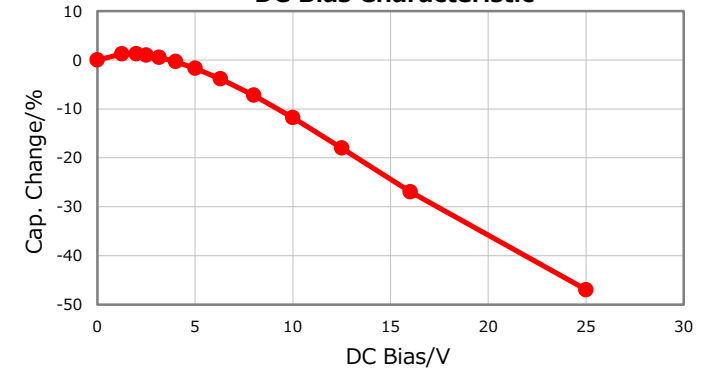
|Z|, ESR vs. Freq. Characteristics (Simulation Data)



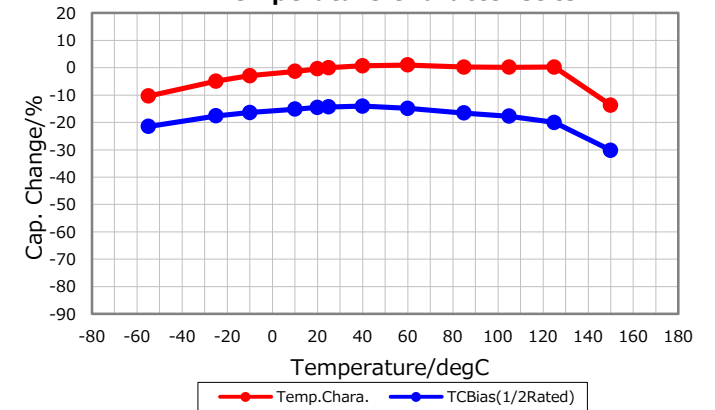
Cap. vs. Freq. Characteristic



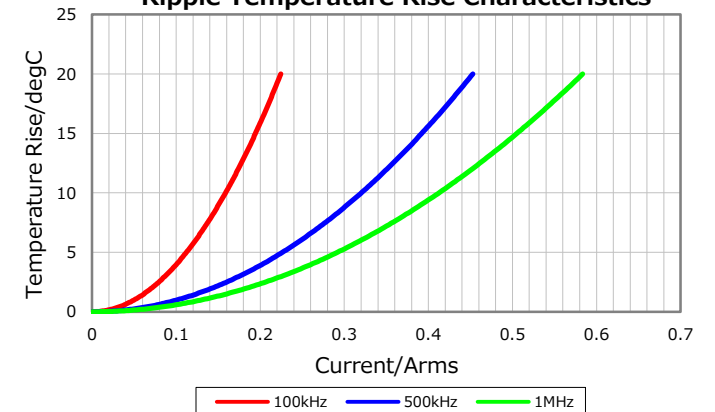
DC Bias Characteristic



Temperature Characteristics



Ripple Temperature Rise Characteristics



Characterization Sheet (Multilayer Ceramic Chip Capacitors)



All specifications are subject to change without notice.

July 26, 2018