

# CGA2B2C0G1H681J050BE

TDK Item Description : CGA2B2C0G1H681JT\*\*\*S



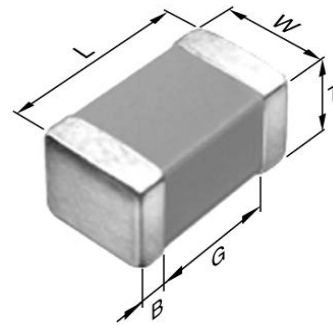
Equivalent C1005C0G1H681J for Automotive

## Application & Main Feature

Automotive Grade ( Soft Termination )

## Series

CGA2(1005) CC0402]



## Dimensions

L	1.00mm +0.15,-0.05mm
W	0.50mm +0.1,-0.05mm
T	0.50mm +0.1,-0.05mm
B	0.10mm Min.
G	0.30mm Min.

## Temperature Characteristic

C0G (-55 to 125 degC 0+/-30ppm/degC)

## Rated Voltage

1H (50Vdc)

## Capacitance

680pF

## Capacitance Tolerance

J (+/-5%)

## Q Factor

1000 Min.

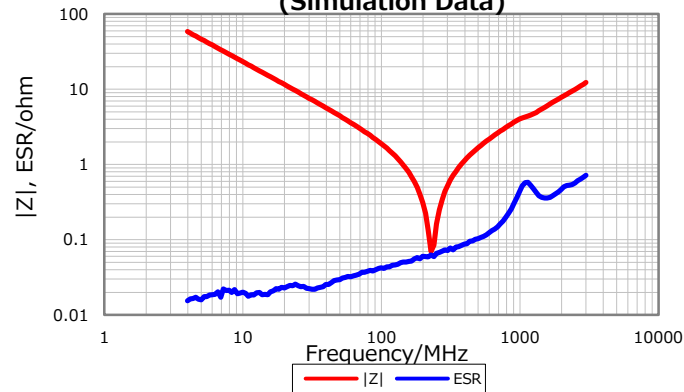
## Insulation Resistance

10Gohm Min

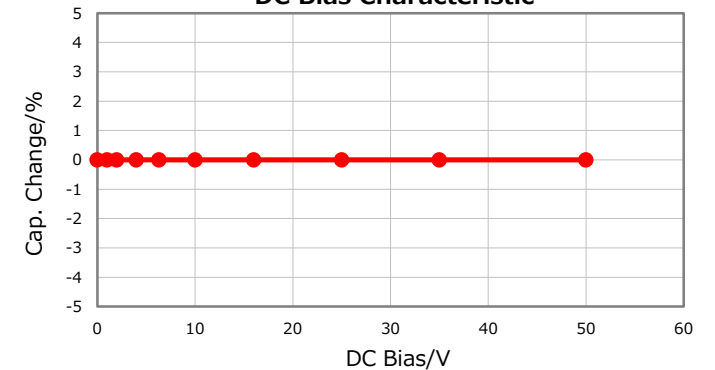
## AEC-Q200

Yes

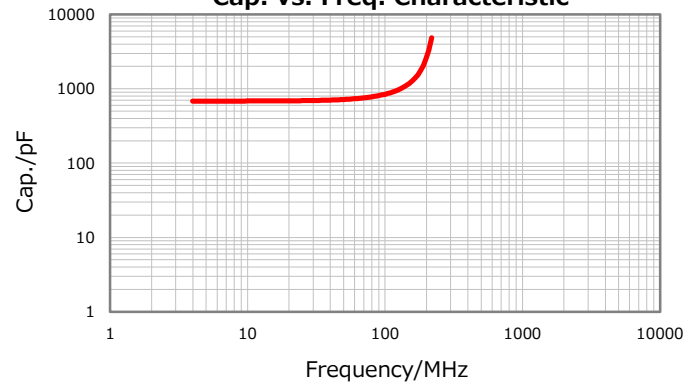
**|Z|, ESR vs. Freq. Characteristics  
(Simulation Data)**



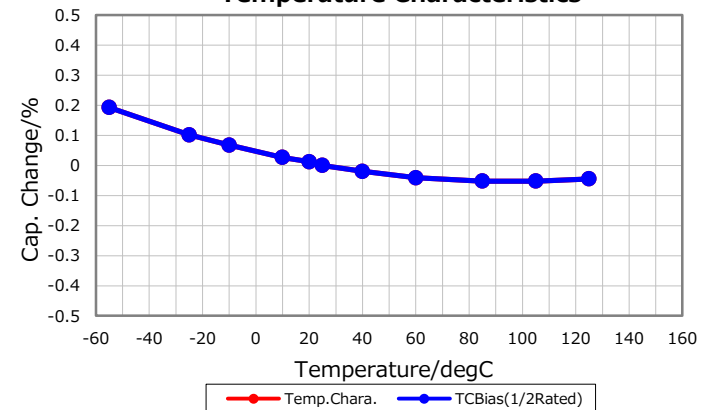
**DC Bias Characteristic**



**Cap. vs. Freq. Characteristic**



**Temperature Characteristics**



Characterization Sheet ( Multilayer Ceramic Chip Capacitors )



All specifications are subject to change without notice.

May 12, 2017