

CGA2B2X7R1C224M050BE

TDK item description : CGA2B2X7R1C224MT***S



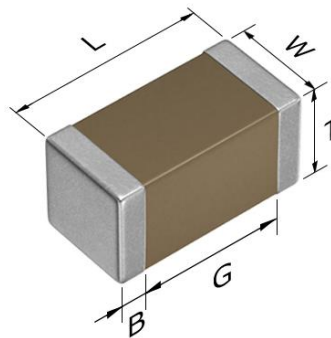
Equivalent C1005X7R1C224M for Automotive

Application & Main Feature

Automotive grade (Soft termination)

Series

CGA2(1005) [EIA 0402]



Dimensions

L 1.00+0.15,-0.05 mm
 W 0.50+0.10,-0.05 mm
 T 0.50+0.10,-0.05 mm
 B 0.10 mm min.
 G 0.30 mm min.

Temperature Characteristic

X7R (-55 to +125 degC, ±15%)

Rated Voltage

1C (16Vdc)

Capacitance

220nF

Capacitance Tolerance

M (±20%)

DF

5 % max.

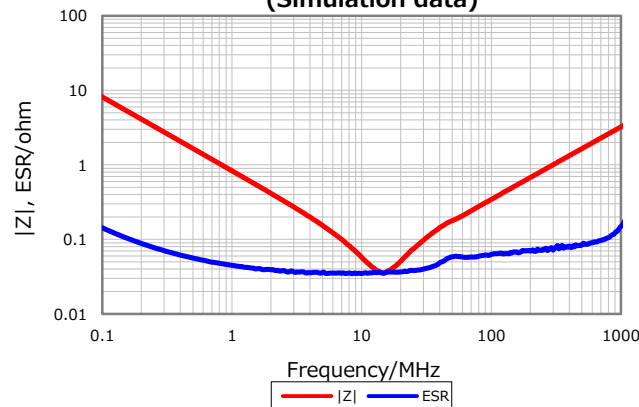
Insulation Resistance

454 Mohm min.

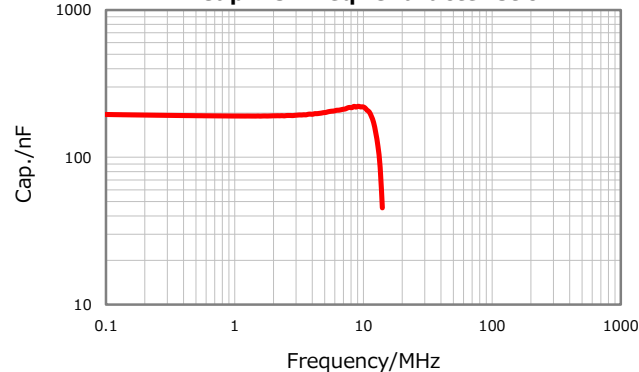
AEC-Q200

Yes

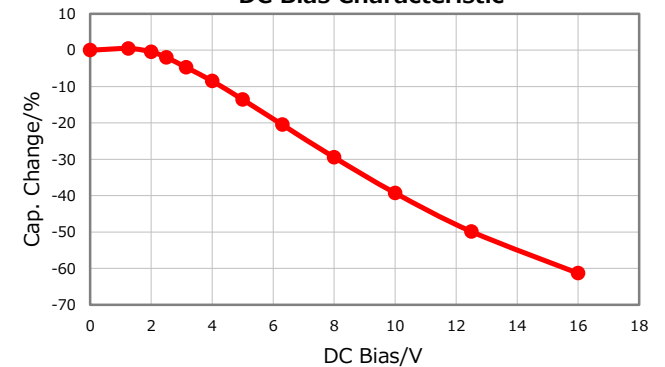
**|Z|, ESR vs. Freq. Characteristics
(Simulation data)**



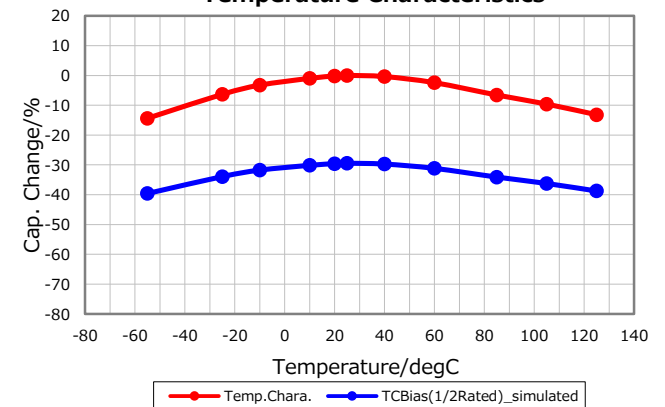
Cap. vs. Freq. Characteristic



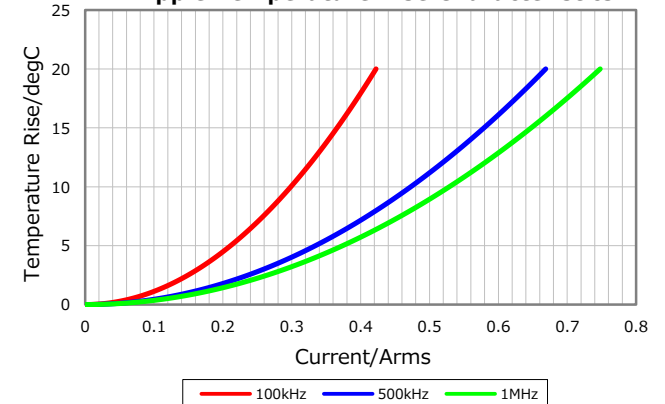
DC Bias Characteristic



Temperature Characteristics



Ripple Temperature Rise Characteristics



Characterization Sheet (Multilayer Ceramic Chip Capacitors)



⚠ All specifications are subject to change without notice.

January 10, 2021