

# CGA2B3X8R1C473M050BB

TDK Item Description : CGA2B3X8R1C473MT\*\*\*\*



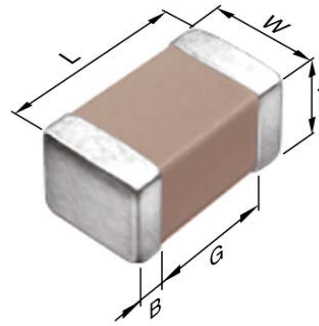
Equivalent C1005X8R1C473M for Automotive

## Application & Main Feature

Automotive Grade ( High Temperature Application )

## Series

CGA2(1005) [EIA 0402]



## Dimensions

L	1.00mm +/-0.05mm
W	0.50mm +/-0.05mm
T	0.50mm +/-0.05mm
B	0.10mm Min.
G	0.30mm Min.

## Temperature Characteristic

X8R (-55 to 150 deg +/-15%)

## Rated Voltage

1C (16Vdc)

## Capacitance

47nF

## Capacitance Tolerance

M (+/-20%)

## Dissipation Factor

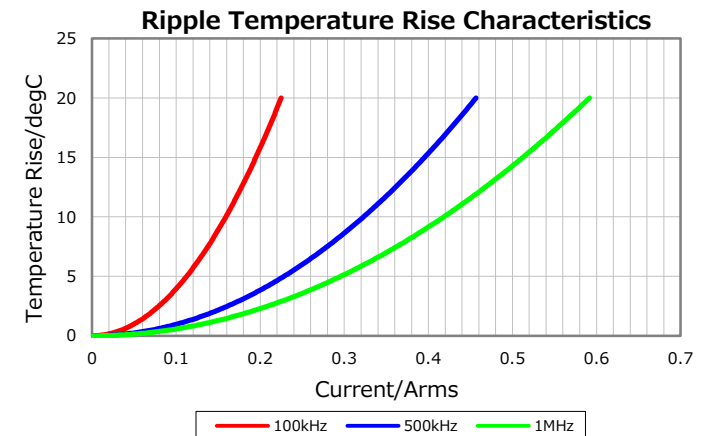
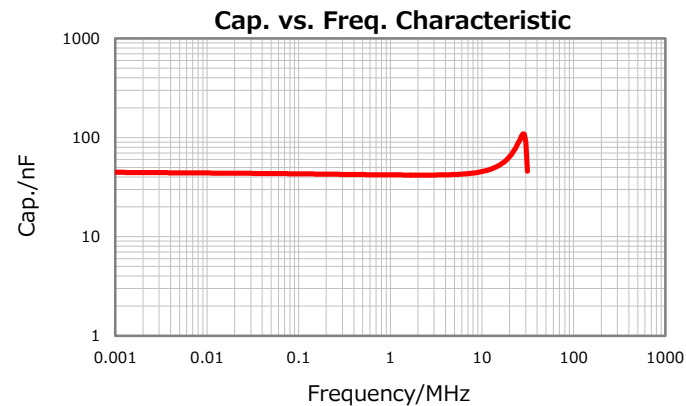
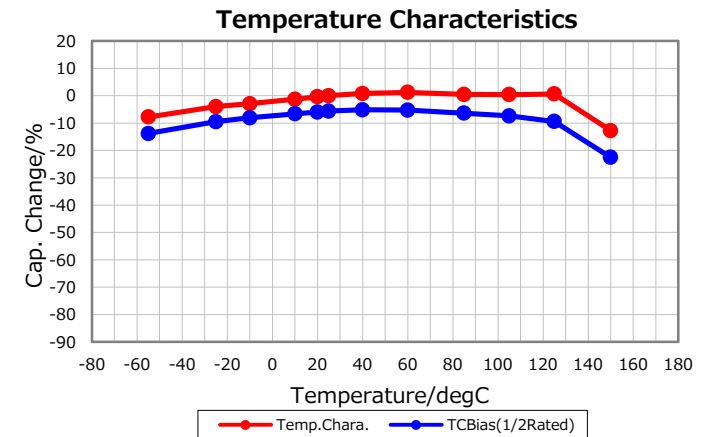
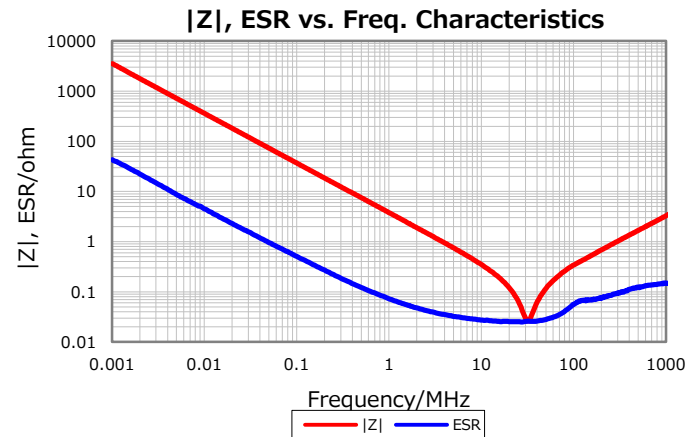
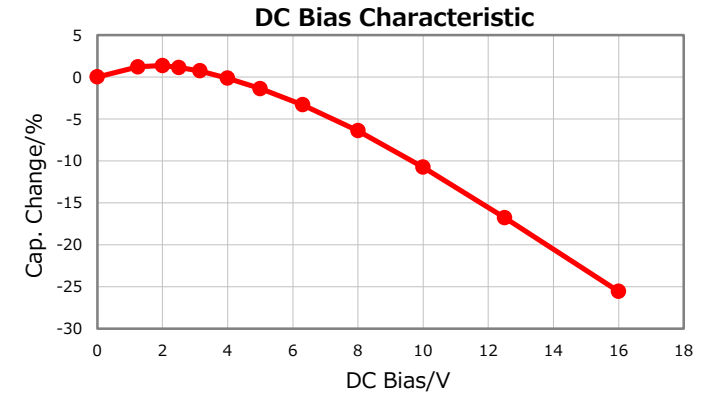
5% Max.

## Insulation Resistance

2.127Gohm Min

## AEC-Q200

Yes



Characterization Sheet ( Multilayer Ceramic Chip Capacitors )



All specifications are subject to change without notice.

June 5, 2018