

CGA3E1X7R1V105M080AC

TDK item description : CGA3E1X7R1V105MT****



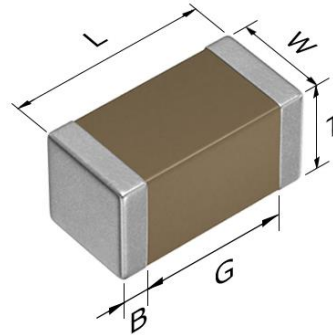
Equivalent C1608X7R1V105M for Automotive

Application & Main Feature

Automotive grade (General type)

Series

CGA3(1608) [EIA 0603]



Dimensions

L 1.60±0.10 mm
 W 0.80±0.10 mm
 T 0.80±0.10 mm
 B 0.20 mm min.
 G 0.30 mm min.

Temperature Characteristic

X7R (-55 to +125 degC, ±15%)

Rated Voltage

1V (35Vdc)

Capacitance

1µF

Capacitance Tolerance

M (±20%)

DF

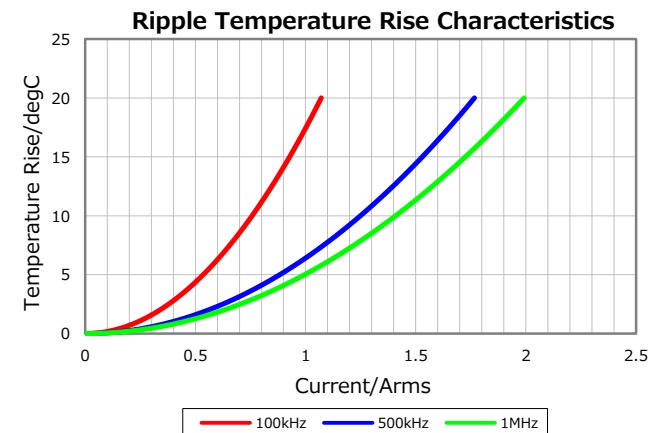
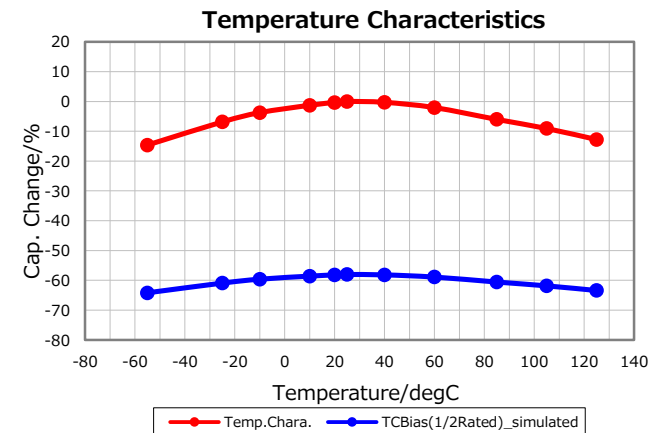
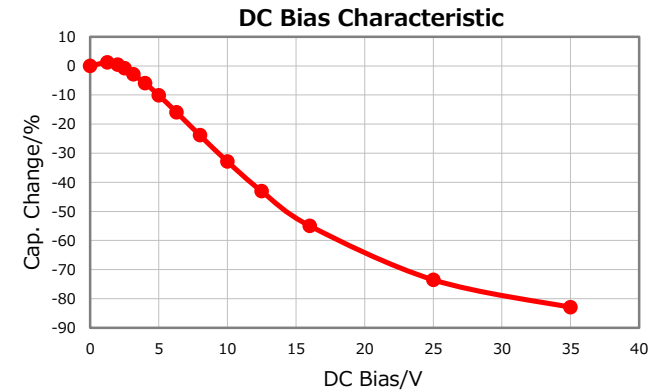
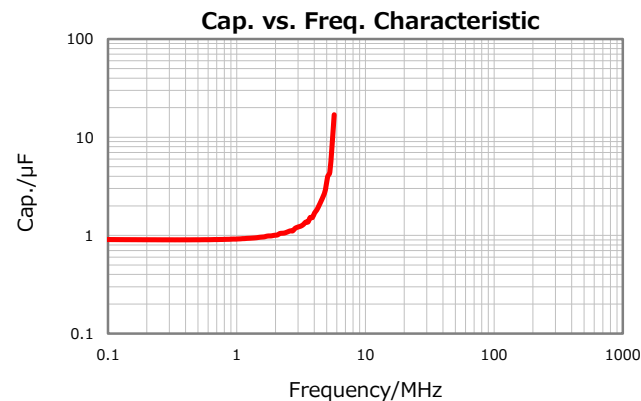
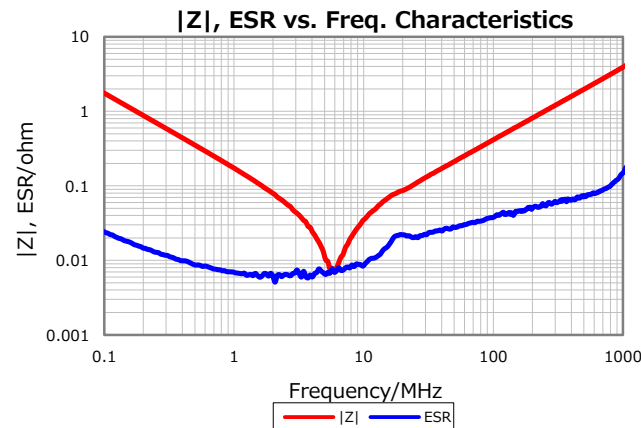
5 % max.

Insulation Resistance

500 Mohm min.

AEC-Q200

Yes



Characterization Sheet (Multilayer Ceramic Chip Capacitors)



⚠ All specifications are subject to change without notice.

January 11, 2021